

# HITACHI

## DA200E (S)

GB

SE

DK

NO

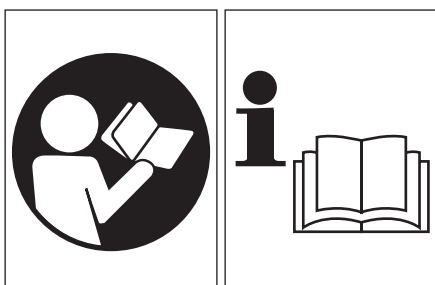
FI

RU

**Owner's manual**  
**Ägarhandbok**  
**Betjeningsvejledning**  
**Bruksanvisning**  
**Omistajan opas**  
**Руководство пользователя**

# HITACHI

## DA200E (S)

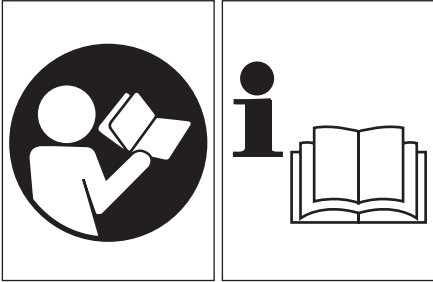


Read the manual carefully before operating this machine.

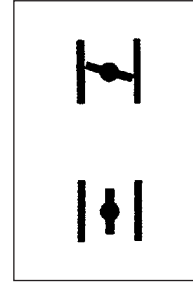
**Owner's manual**

## **WARNING**

The engine exhaust from this product contains chemicals known to the State of California to cause cancer, birth defects and other reproductive harm.



It is important that you read, fully understand and observe the following safety precautions and warnings. Careless or improper use of the unit may cause serious or fatal injury.



Explains choke position. Upper sign indicates choke closed and the lower fully open.



Read, understand and follow all warnings and instructions in this manual and on the unit.



Do not touch the bit when running the engine.



Always wear eye, head and ear protectors when using this unit.

### **Before using your machine**

- Read the manual carefully.
- Check that the cutting equipment is correctly assembled and adjusted.
- Start the unit and check the carburetor adjustment. See "Maintenance".

**Declaration of conformity**

We, Nikko Tanaka Engineering Co., Ltd., 3-4-29 Tsudanuma, Narashino, Chiba, Japan

Declare under our sole responsibility that the product, Power augur model DA200E (S)


to which this declaration relates is in conformity with the essential safety requirements of directives.

98/37/EC, 89/336/EEC, 2000/14/EC

The following standards have been taken into consideration ISO 3864 (EN ISO 12100-1/2)

Manufactured at : Chiba, Japan on the 05/01/2007

Signature:

  
Yoshio Osada

Serial No. up from E570001

Position : Director

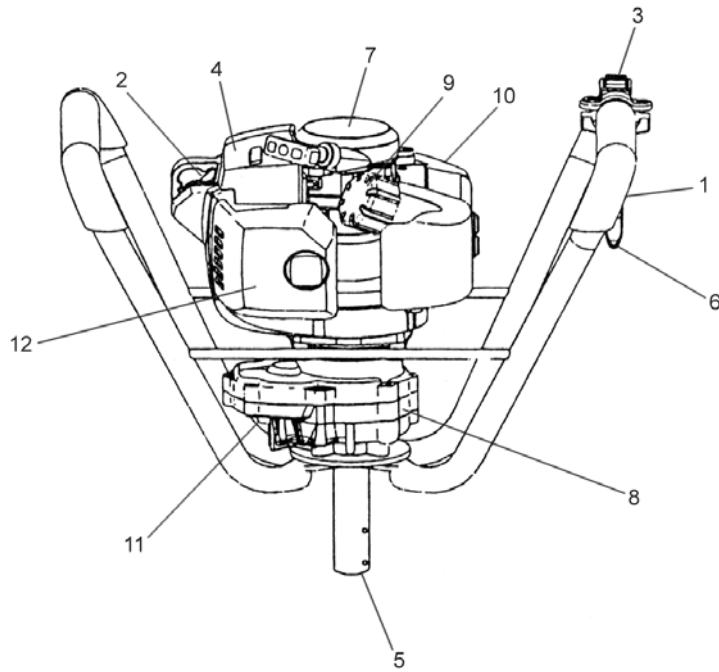
**Index**

What is what? _____	4
Warnings and safety instructions _____	5
Assembly procedures _____	6
Operating procedures _____	6
Maintenance _____	7
Specifications _____	10

## 1. What is what?

Since this manual covers several models, there may be some difference between pictures and your unit. Use the instructions that apply to your unit.

1. Handle
2. Plug cap
3. Ignition switch
4. Muffler
5. Drive shaft
6. Throttle trigger
7. Recoil starter
8. Gear case
9. Fuel cap
10. Fuel tank
11. Grease hole
12. Air cleaner



## 2. Warnings and safety instructions

### Operator safety

- Always wear a safety face shield or goggles.
- Always wear heavy, long pants, boots and gloves. Do not wear loose clothing, jewelry, short pants, sandals or go barefoot. Secure hair so it is above shoulder length.
- Do not operate this unit / machine when you are tired, ill or under the influence of alcohol, drugs or medication.
- Never let a child or inexperienced person operate the machine.
- Wear hearing protection.
- Never start or run the engine inside a closed room or building. Breathing exhaust fumes can kill.
- Keep handles free of oil and fuel.
- Keep hands away from drilling equipment.
- Do not grab or hold the unit by the drilling equipment.
- When the unit is turned off, make sure the drilling attachment has stopped before the unit is set down.
- When operation is prolonged, take a break from time to time so that you may avoid possible whitefinger disease which is caused by vibration.
- Be sure to check all fasteners on the machine to ensure that nothing can come loose during operation.
- Be sure that the area you intend to dig is free of any obstacles and obstructions. Some items may be buried beneath the surface, such as electric wiring, water lines, etc. If you have doubts about their location-consult your local utility experts.
- This auger is designed to bore through earth. Never attempt to bore through any solid objects such as wood, rock or metal.
- Never alter or replace the pin securing the auger bit to the power head. Using anything other than the original pin can result in injury.
- This model is designed to accept an auger bit with a maximum diameter of 8 inches. Never attempt to use a larger bit with this machine.
- Prior to starting be sure that both operators are in a position to firmly grasp both handles and are able to gain secure footing. Never operate on steep inclines where the potential to fall is increased.
- Holes created by this machine can be dangerous to others. Never leave a hole unattended where it may create a safety hazard.

### Unit / machine safety

- Inspect the entire unit/machine before each use. Replace damaged parts. Check for fuel leaks and make sure all fasteners are in place and securely tightened.
- Replace parts that are cracked, chipped or damaged in any way before using the unit/machine.
- Keep others away when making carburetor adjustments.
- Use only accessories as recommended for this unit/machine by the manufacturer.

#### **⚠ WARNING!**

**Never modify the unit/machine in any way. Do not use your drilling tool for any job except that for which it is intended.**

### Fuel safety

- Mix and pour fuel outdoors and where there are no sparks or flames.
- Use a container approved for fuel.
- Do not smoke or allow smoking near fuel or the unit/machine or while using the unit/machine.
- Wipe up all fuel spills before starting engine.
- Move at least 3 m away from fueling site before starting engine.
- Stop engine before removing fuel cap.
- Empty the fuel tank before storing the unit/machine. It is recommended that the fuel be emptied after each use. If fuel is left in the tank, store so fuel will not leak.
- Store unit/machine and fuel in area where fuel vapors cannot reach sparks or open flames from water heaters, electric motors or switches, furnaces, etc.

#### **⚠ WARNING!**

**Antivibration systems do not guarantee that you will not sustain whitefinger disease or carpal tunnel syndrome. Therefore, continual and regular users should monitor closely the condition of their hands and fingers. If any of the above symptoms appear, seek medical advice immediately.**

### Drilling safety

- Do not drill any material other than that for which is intended.
- Inspect the area to be drilled before each use. Remove objects which can be thrown or become entangled.
- For respiratory protection, wear an aerosol protection mask when drilling the area after insecticide is scattered.
- Keep others including children, animals, bystanders and helpers outside the 5 m hazard zone. Stop the engine immediately if you are approached.

- Hold the unit/machine firmly with both hands.
- Keep firm footing and balance. Do not over-reach.
- Keep all parts of your body away from the muffler and drilling attachment when the engine is running.

### Maintenance safety

- Maintain the unit/machine according to recommended procedures.
- Disconnect the spark plug before performing maintenance except for carburetor adjustments.
- Keep others away when making carburetor adjustments.
- Use only genuine HITACHI replacement parts as recommended by the manufacturer.

### Transport and storage

- Carry the unit/machine by hand with the engine stopped and the muffler away from your body.
- Allow the engine to cool, empty the fuel tank, and secure the unit/machine before storing or transporting in a vehicle.
- Empty the fuel tank before storing the unit/machine. It is recommended that the fuel be emptied after each use. If fuel is left in the tank, store so fuel will not leak.
- Store unit/machine out of the reach of children.
- Clean and maintenance the unit carefully and store it in a dry place
- Make sure engine switch is off when transporting or storing.
- When transporting in a vehicle, cover bit with bit cover or rug.

If situations occur which are not covered in this manual, take care and use common sense. Contact HITACHI dealer if you need assistance. Pay special attention to statements preceded by the following words:

#### **⚠ WARNING!**

**Indicates a strong possibility of severe personal injury or loss of life, if instructions are not followed.**

#### **CAUTION!**

Indicates a possibility of personal injury or equipment damage, if instructions are not followed.

#### **NOTE!**

Helpful information for correct function and use.

#### **CAUTION!**

Do not disassemble the recoil starter. You may get a possibility of personal injury with recoil spring.

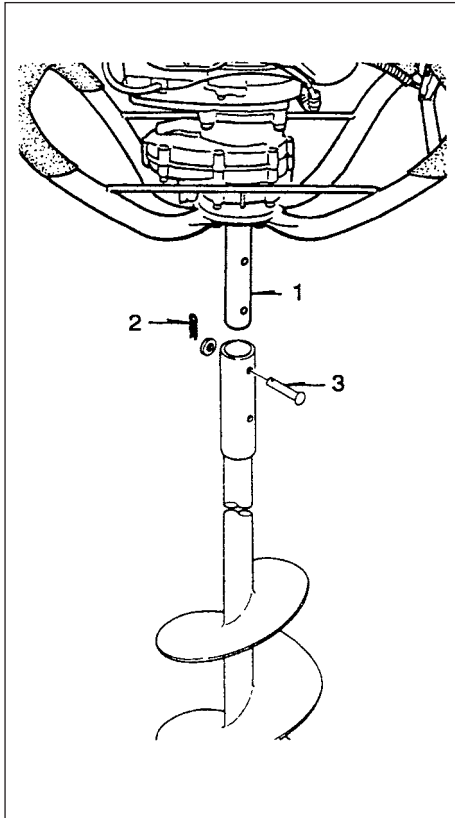


Fig.1-1

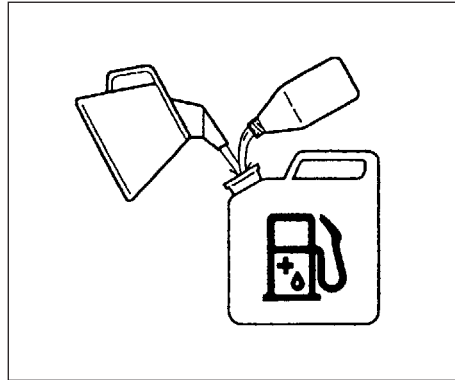


Fig.2-1

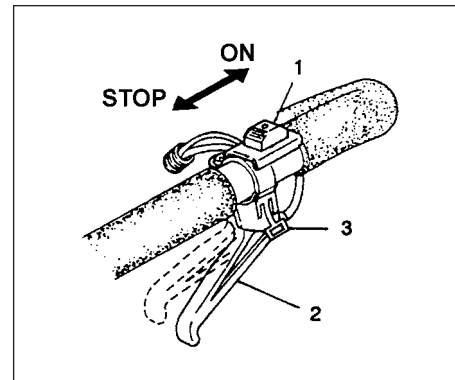


Fig. 2-2

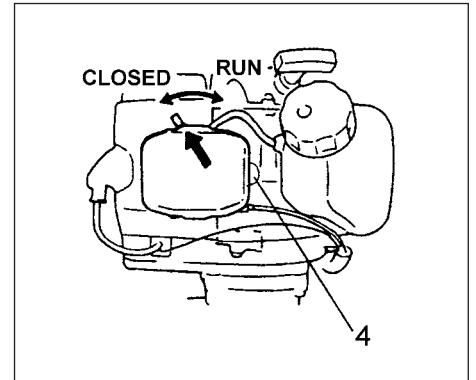


Fig. 2-3

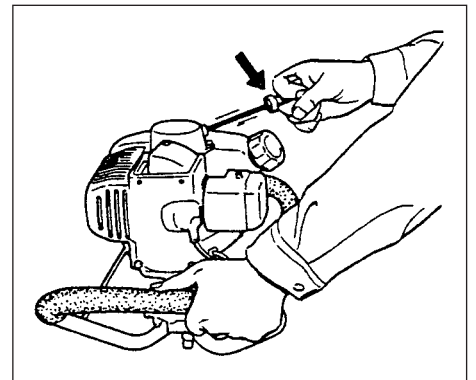


Fig. 2-4

### 3. Assembly procedures

#### Assembling (Fig. 1-1)

Connect the bit to drive shaft (1) of the power head and fix it with the snap pins (2) after setting the fixing pins (3) and washers (2 pcs. each).

#### Selection of a Suitable Bit

Choose an auger bit according to material to be bored.

In case of ice boring, use an ice bit. When boring the earth, use one for earth boring.

### 4. Operating procedures

#### Fuel (Fig. 2-1)

#### ⚠ WARNING!

**The power auger is equipped with a two-stroke engine. Always run the engine on fuel, which is mixed with oil. Provide good ventilation, when fueling or handling fuel.**

#### Fuel

- Always use branded 89 octane unleaded gasoline.
- Use genuine two-cycle oil or use a mix between 25:1 to 50:1, please consult the oil bottle for the ratio or HITACHI dealer.
- Only for the state of California at 50:1.
- If genuine oil is not available, use an anti-oxidant added quality oil expressly labeled for air-cooled 2-cycle engine use (JASO FC GRADE OIL or ISO EGC GRADE). Do not use BIA or TCW (2-stroke water-cooling type) mixed oil.
- Never use multi-grade oil (10 W/30) or waste oil.
- Always mix fuel and oil in a separate clean container.

Always start by filling half the amount of fuel, which is to be used. Then add the whole amount of oil. Mix (shake) the fuel mixture. Add the remaining amount of fuel. Mix (shake) the fuel-mix thoroughly before filling the fuel tank.

#### Fueling

#### ⚠ WARNING!

- **Always shut off the engine before refueling.**
- **Slowly open the fuel tank, when filling up with fuel, so that possible over-pressure disappears.**
- **Tighten the fuel cap carefully, after fueling.**
- **Always move the unit at least 3 m (10 ft.) from the fueling area before starting.**

Before fueling, clean the tank cap area carefully, to ensure that no dirt falls into the tank. Make sure that the fuel is well mixed by shaking the container, before fueling.

#### Starting

1. Set ignition switch (1) to ON position. (Fig. 2-2)
  - \* Push priming bulb (4) several times so that fuel flows through the bulb or return pipe. (If so equipped) (Fig. 2-3)
2. If throttle lock (3) is equipped, pull the throttle trigger (2) and keep pushing the throttle lock (3), then slowly release the lever to be locked. (Fig. 2-2)
3. Set choke lever to CLOSED position. (Fig. 2-3)
4. Pull recoil starter briskly, taking care to keep the handle in your grasp and not allowing it to snap back. (Fig. 2-4)
5. When you hear the engine want to start, return choke lever to RUN position (open). Then pull recoil starter briskly again. (Fig. 2-3)

#### NOTE!

If engine does not start, repeat procedures from 2 to 5.

6. After starting engine, allow the engine about 2-3 minutes to warm up before subjecting it to any load.

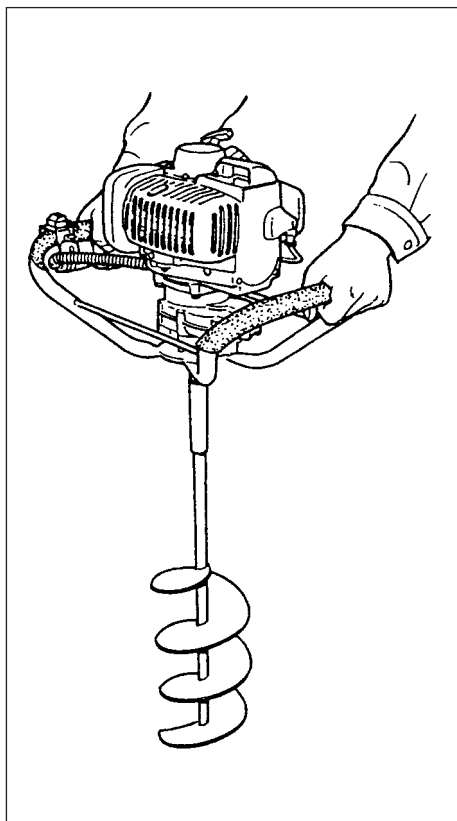


Fig. 2-5

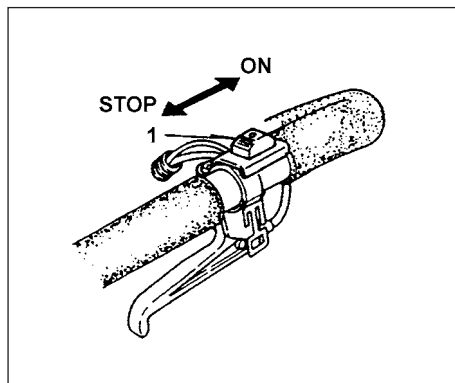


Fig. 2-6

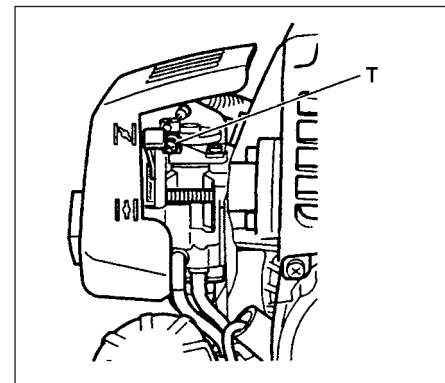


Fig. 3-1

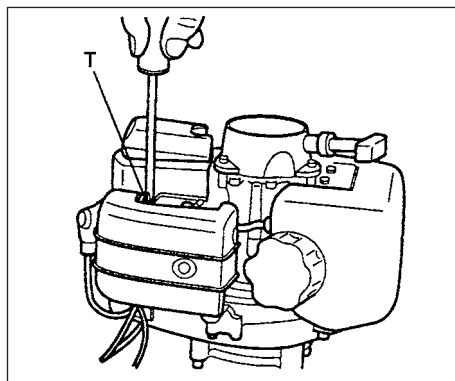


Fig. 3-1B

#### Drilling (Fig. 2-5)

##### ⚠ WARNING!

Do not touch the bit when running the engine to avoid unexpected accident. Be sure to turn off the ignition switch before touching it.

1. Hold the handle firmly with both hands so that you may not be swung by the unit.
2. Locate the edge of bit right on the spot to dig, and then drive the bit.  
This is an easy job thanks to the built-in centrifugal clutch.
3. Stop the engine and inspect the unit if abnormal vibration or noise is generated.
4. Long operation of the unit may tire you. Try to take a break from time to time.

#### Stopping (Fig. 2-6)

- Decrease engine speed, and push ignition switch to stop position.

## 5. Maintenance

**MAINTENANCE, REPLACEMENT, OR REPAIR OF THE EMISSION CONTROL DEVICES AND SYSTEM MAY BE PERFORMED BY ANY NONROAD ENGINE REPAIR ESTABLISHMENT OR INDIVIDUAL.**

#### Carburetor adjustment (Fig. 3-1, 1B)

##### ⚠ WARNING!

The bit may be spinning during carburetor adjustments.

##### ⚠ WARNING!

Never start the engine without the complete clutch cover and gear case assembled! Otherwise the clutch can come loose and cause personal injuries.

In the carburetor, fuel is mixed with air. When the engine is test run at the factory, the carburetor is adjusted. A further adjustment may be required, according to climate and altitude. The carburetor has one adjustment possibility:  
T = Idle speed adjustment screw.

#### Idle speed adjustment (T)

Check that the air filter is clean. When the idle speed is correct, the bit will not rotate. If adjustment is required, close (clockwise) the T-screw, with the engine running, until the bit starts to rotate. Open (counter-clockwise) the screw until the bit stops. You have reached the correct idle speed when the engine runs smoothly in all positions well below the rpm when the bit starts to rotate.

If the bit still rotates after idle speed adjustment, contact HITACHI dealer.

#### NOTE!

Standard Idle rpm is 2500~3000 rpm.

#### NOTE!

Some models sold areas with strict exhaust emission regulation do not have high and low speed carburetor adjustments. Such adjustments may allow the engine to be operated outside of their emission compliance limits. For these models, the only carburetor adjustment is idle speed.

For models that equipped with low and high speed adjustments; carburetors are pre set at the factory. Minor adjustments may optimize performance based on climate, altitude, etc. Never turn the adjustment screws in increments greater than 90 degrees, as engine damage can result from incorrect adjustment. If you are not familiar with type of adjustment-assistance HITACHI dealer.

##### ⚠ WARNING!

When the engine is idling the bit must under no circumstances rotate.



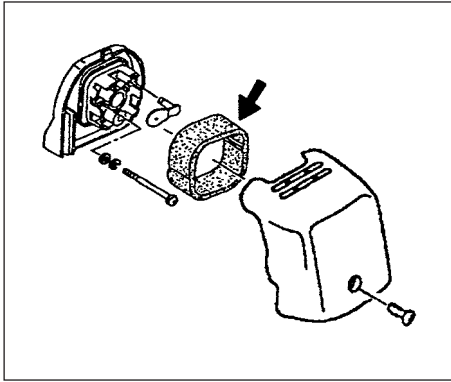


Fig. 3-2

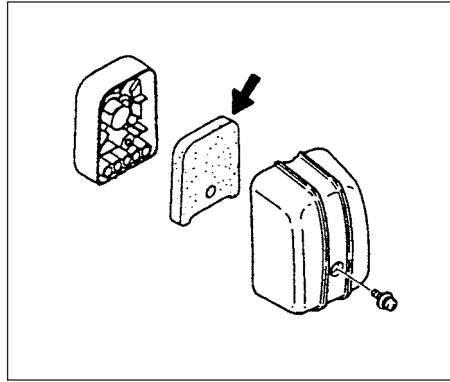


Fig. 3-2B

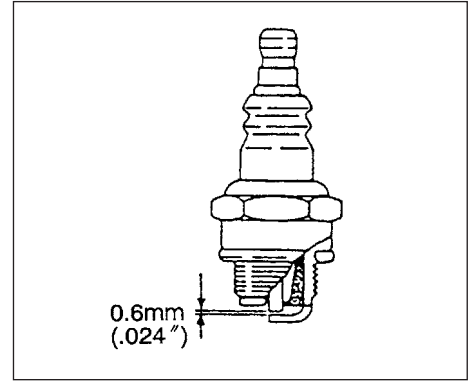


Fig. 3-3

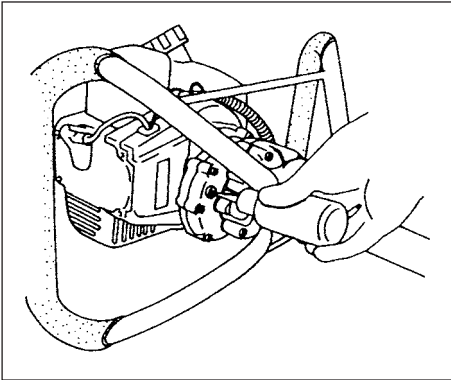


Fig. 3-4

#### Air filter (Fig. 3-2, 2B)

The air filter must be cleaned from dust and dirt in order to avoid:

- Carburetor malfunctions.
- Starting problems.
- Engine power reduction.
- Unnecessary wear on the engine parts.
- Abnormal fuel consumption.

Clean the air filter daily or more often if working in exceptionally dusty areas.

#### Cleaning the air filter

Remove the air filter cover and the filter. Rinse it in warm soap suds. Check that the filter is dry before reassembly. An air filter that has been used for some time cannot be cleaned completely. Therefore, it must regularly be replaced by a new one. A damaged filter must always be replaced.

#### Spark plug (Fig. 3-3)

The spark plug condition is influenced by:

- An incorrect carburetor setting.
- Wrong fuel mixture (too much oil in the gasoline)
- A dirty air filter.
- Hard running conditions (such as cold weather).

These factors cause deposits on the spark plug electrodes, which may result in malfunction and starting difficulties. If the engine is low on power, difficult to start or runs poorly at idling speed, always check the spark plug first. If the spark plug is dirty, clean it and check the electrode gap. Readjust if necessary. The correct gap is 0.6 mm (.024"). The spark plug should be replaced after about 100 operation hours or earlier if the electrodes are badly eroded.

#### NOTE!

In some areas, local law requires using a resistor spark plug to suppress ignition signals. If this machine was originally equipped with resistor spark plug, use same type of spark plug for replacement.

#### Transmission (Fig. 3-4)

Check transmission or gear for grease level about every 50 hours of operation by removing the grease filler plug on the side of transmission.

If no grease can be seen on the flanks of the gears, fill the transmission with a quality lithium based multipurpose grease up to 3/4. Do not completely fill the transmission.

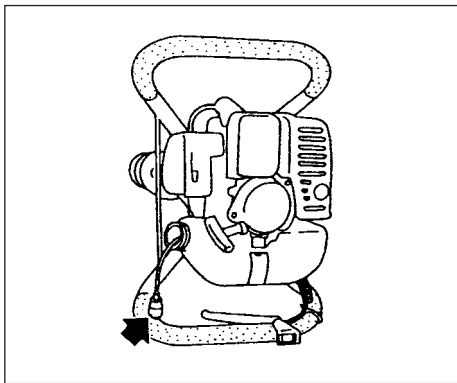


Fig. 3-5

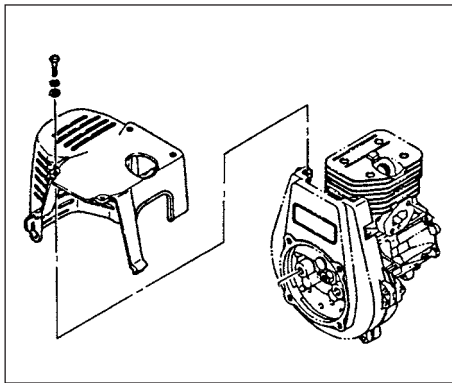


Fig. 3-6

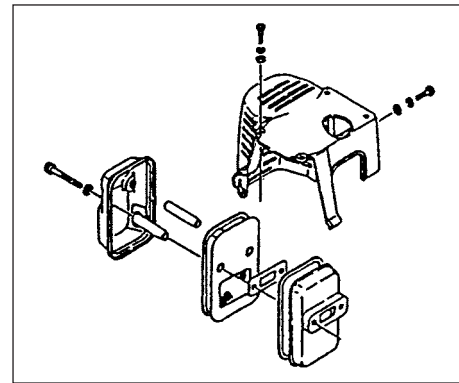


Fig. 3-7

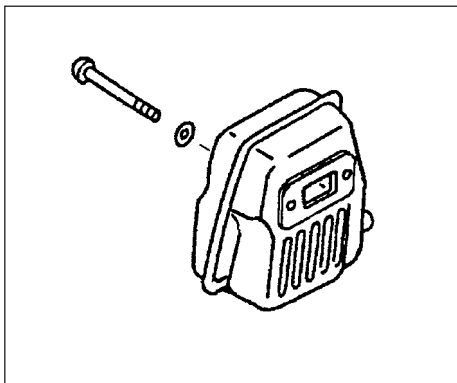


Fig. 3-7B

#### Fuel filter (Fig. 3-5)

Drain all fuel from fuel tank and pull fuel filter line from tank. Pull filter element out of holder assembly and rinse element in warm water with detergent.

Rinse thoroughly until all traces of detergent are eliminated. Squeeze, do not wring, away excess water and allow element to air dry.

#### NOTE!

If element is hard due to excessive dirt buildup, replace it.

#### Cleaning the cylinder fins (Fig. 3-6)

When wood chips are caught between cylinder fins, the engine may overheat, resulting in lower output. To avoid this, always keep cylinder fins and fan case clean.

Every 100 Operating hours, or once a year (more often if conditions require), clean fins and external surfaces of engine of dust, dirt and oil deposits which can contribute to improper cooling.

#### Cleaning the muffler (Fig. 3-7, 7B)

Remove the muffler and spark arrestor (if so equipped), and clean out any excess carbon from the exhaust port or muffler inlet every 100 hours of operation.

#### For long-term storage

Drain all fuel from the fuel tank. Start and let engine run until it stops. Repair any damage which has resulted from use. Clean the unit with a clean rag, or the use of high pressure air hose. Put a few drops of two-cycle engine oil into the cylinder through the spark plug hole, and spin the engine over several times to distribute oil. Cover the unit and store it in a dry area.

#### Spark arrestor

If your unit comes with spark arrestor screen and yet your local regulation requires use of spark arrestor for prevention against a possible fire, please attach it to the muffler by removing muffler protector and other related parts (The spark arrestor meets the regulation of SAE J335-SEP90 and CSA CAN3-Z62. 1-M77)

#### Maintenance schedule

Below you will find some general maintenance instructions. For further information please contact HITACHI dealer.

#### Daily maintenance

- Clean the exterior of the unit.
- Check that the drilling attachment is properly centred, sharp, and without cracks. An offcentred bit induces heavy vibrations that may damage the unit.
- Check that the drilling attachment is sufficiently tightened.
- Check that nuts and screws are sufficiently tightened.

#### Weekly maintenance

- Check the starter, especially cord and return spring.
- Clean the exterior of the spark plug.
- Remove it and check the electrode gap. Adjust it to 0.6 mm, or change the spark plug.
- Clean the cooling fins on the cylinder and check that the air intake at the starter is not clogged.
- Check that the gear case or transmission is filled with grease up to 3/4.
- Clean the air filter.

#### Monthly maintenance

- Rinse the fuel tank with gasoline.
- Clean the exterior of the carburetor and the space around it.
- Clean the fan and the space around it.

## 6. Specifications

MODEL DA200E (S)



Engine Size (ml) ..... 33 (2.00 cu. in.)



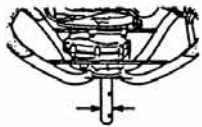
Spark Plug ..... CHAMPION CJ6Y or RCJ6Y  
or equivalent



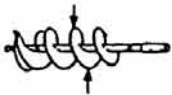
Fuel Tank Capacity ( l )..... 0.70 (23.6 fl. oz)



Dry Weight (kg)..... 8.0(17.6 lbs)



Drive Shaft Diameter (mm).....25.0



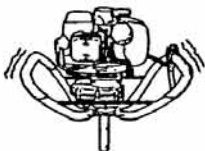
Max. Bit Size (mm)..... 150(5.9 in)  
(Earth)



Sound pressure level (dB(A)) ..... 94.5  
(EN27917)



Sound power level (db(A))..... 116



Vibration level (m/s<sup>2</sup>) (ISO 7916)

Right handle ..... 7.2

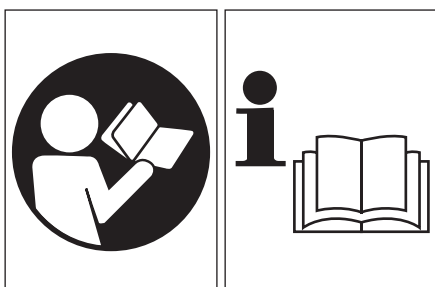
Left handle ..... 6.3

NOTE : Equivalent noise level/vibration level are calculated as the time-weighted energy total for noise/vibration levels under various working conditions with the following time distribution : 1/2 idle, 1/2 racing.

\*All data subject to change without notice.

# HITACHI

## DA200E (S)

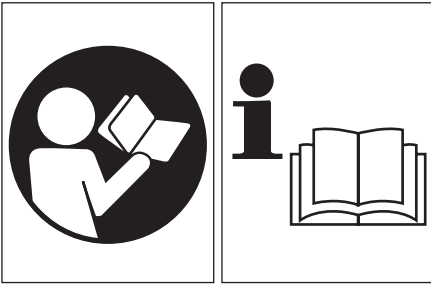


Läs noga igenom bruksanvisningen  
innan maskinen tas i bruk.

**Ägarhandbok**

## **VARNING!**

Motoravgasen från denna produkt innehåller vissa kemikalier som staten Kalifornien klassificerat som cancerframkallande, fosterskadande eller reproduktionsskadliga ämnen.



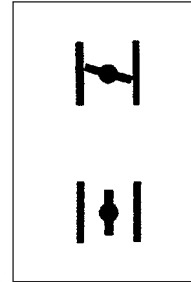
Det är viktigt att du noggrant läser i bruksanvisningen för att fullt förstå och följa försiktighetsmått för säkerhet och varningarna. Om apparaten används slarvigt eller på något olämpligt sätt kan det medföra en allvarlig skada.



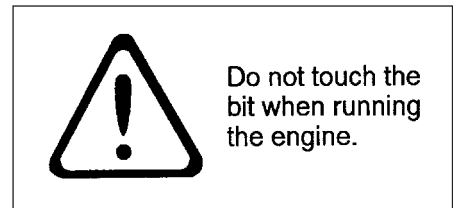
Läs, förstå och följ alla varningar och instruktioner i denna bruksanvisning och på maskinen.



Bär alltid ögon-, huvud- och hörselskydd vid användning av maskinen.



Visar chokens position. Den övre indikatorn visar att choken är stängd och den nedre visar att choken är helt öppen.



Rör aldrig vid skäret när motorn går.

### **Innan maskinen tas i bruk**

- Läs noggrant igenom denna bruksanvisning.
- Kontrollera skärutrustningens montering och justering.
- Starta maskinen och kontrollera förgasarinställningen. Se "Underhåll".

## Ilmoitus lainmukaisuudesta

vi, Nikko Tanaka Engineering Co., Ltd., 3-4-29 Tsudanuma, Narashino, Chiba, Japan

Förklarar härmed på eget ansvar att denna produkt, motordriven vridborr modell DA200E (S)

till vilken denna deklaration tillhör, uppfyller samtliga väsentliga säkerhetskrav föreskrivna berörda direktiv.

98/37/EC, 89/336/EEC, 2000/14/EC

Vi har tagit hänsyn till följande standards. ISO 3864 (EN ISO 1200-1/2)

Fait à : Chiba, Japan den 05/01/2007

Signature:

  
Yoshio Osada

Seriem fr.o.m. E570001

Function : Direktör

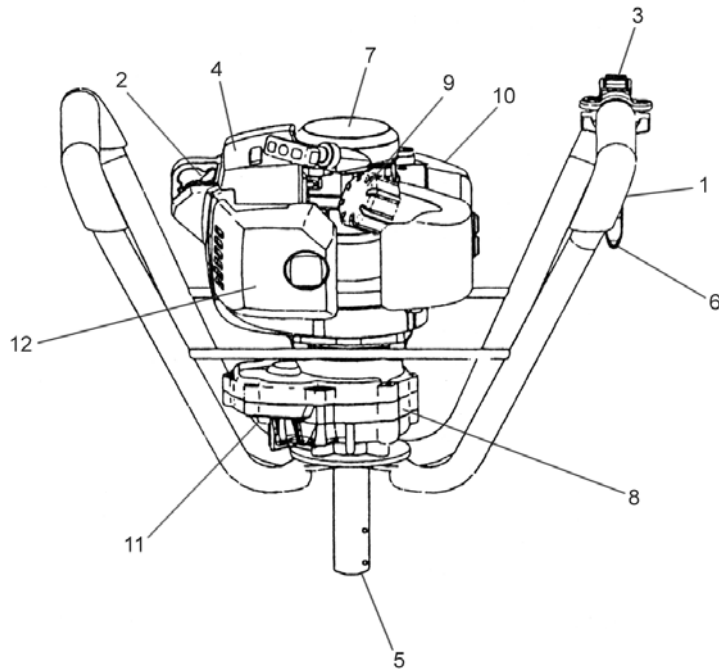
### Innehåll

Vad är vad? _____	4
Varningar och säkerhetsanvisningar _____	5
Montering _____	6
Användning _____	6
Underhåll _____	7
Tekniska data _____	10

## 1. Vad är vad?

Det kan hända att det finns skillnader mellan den modell du har och den modell som visas på illustrationerna, eftersom denna bruksanvisning täcker flera modeller. Atlyd de instruktioner som är tillämplbara för Din maskin.

1. Handtag
2. Tändstiftshatt
3. Tändomkopplare
4. Ljuddämpare
5. Drivaxel
6. Gasreglage
7. Rekystart
8. Växellåda
9. Bränslepåfyllning
10. Bränsletank
11. Smörjnippel
12. Luftrenare



## 2. Varning och säkerhets-anvisningar

### Användarens säkerhet

- Använd alltid ansiktsskydd eller skyddsglasögon.
- Använd alltid kraftiga, långa byxor, stadiga skor och handskar. Bär aldrig löst sittande kläder, smycken, kortbyxor eller sandaler och gå aldrig barfota. Bind upp håret så att det inte räcker nedanför axelhöjd.
- Använd inte redskapet medan du är trött, sjuk eller påverkad av alkohol, droger eller mediciner.
- Låt aldrig ett barn eller en person, som inte känner till maskinen, köra maskinen.
- Använd alltid hörselskydd.
- Starta eller kör aldrig motorn inne i ett stängt utrymme. Avgaserna kan vara livsfarliga att inandas.
- Håll handtagen fria från olja och bensen.
- Håll händerna borta från skärutrustningen.
- Håll inte trimmern i skärutrustningen.
- Stanna alltid skäret helt innan du lägger ned verktyget, när detta fråslagits.
- Försök inte att arbeta i flera timmar i ett sträck, utan ta paus då och då. Du kan på så sätt undvika de s.k. vita fingrarna som orsakas av vibrationer.
- Kontrollera alla fästen på maskinen för att försäkra dig om, att inga komponenter kan lossna under användning.
- Försäkra dig om, att området, där du ska borra, är fritt från hinder och störande föremål. Några föremål kan finnas gömda under ytan, som t ex elektriska kablar, vattenledningar m m. Om du är osäker, bör du vända dig till en fackman med lokalkännedom.
- Denna bormaskin är avsedd för borring i jord. Försök aldrig att borra i fast material, som t ex trä, berg eller metall.
- Ändra eller byt aldrig ut sprinten, som låser borrarpsen fast i verktygets motordel. Att använda sprintar, som inte är i originalutförande kan orsaka personskador.
- Denna verktygsmodell är avsedd för borrarpsar med en maximal diameter av 8 ". Försök aldrig att använda större borrarpsar i denna maskin.
- Innan arbetet påbörjas, bör du förvissa dig om, att båda maskinskötare står i rätt position för att gripa tag i båda handtag och har stadigt fotfäste. Arbeta aldrig i branta slutningar, där det är ökad risk att någon ramlar.
- De hål, som tas upp med denna maskin, kan vara farliga för andra personer. Lämna aldrig ett hål utan uppsikt, där det kan utgöra en säkerhetsrisk.

### Redskapets säkerhet

- Kontrollera hela redskapet före varje användning. Byt ut skadade delar. Se efter så det inte förekommer något bränsleläckage och kontrollera att alla fäst detaljer finns på sina platser och är ordentligt fastsatta.
- Byt ut delar som är spräckta, ytskadade eller skadade på annat sätt innan du använder redskapet.
- Låt inte någon stå i närheten vid förgasarjusteringar.
- Använd endast tillbehör av de typer, som tillverkaren rekommenderar till detta redskap.

### **WARNING!**

Ändra aldrig verktygets konstruktion på något sätt. Använd inte denna motorsåg för annat ändamål än det är avsett för.

### Bränslesäkerhet

- Blanda och hantera bränslet utomhus och på en plats där det inte finns någon risk för gnistor eller öppen eld.
- Använd kärl. Som är godkända för bränslehantering.
- Rök inte själv och tillåt inte någon annan att röka nära bränslet eller redskapet eller vid användning av redskapet.
- Torka upp utspillt bränsle före start av motorn.
- Flytta redskapet minst 3 m från tankningsplatsen före start av motorn.
- Stanna motorn innan du tar av bränslepåfyllningslocket.
- Töm bränsletanken innan du ställer undan redskapet för förvaring. Vi rekommenderar att bränslet töms efter varje användning. Om det finns bränsle kvar i tanken måste redskapet förvaras så att inte något bränsle kan rinna ut.
- Förvara redskapet och bränslet på ett ställe där bränsleångorna inte kan nå gnistor eller öppen eld från varmvattenberedare, elektriska motorer, strömställare, värmepannor etc.

### **WARNING!**

**Antivibrationssystemet garanterar inte att du inte utsätts för de s.k. vita fingrarna eller carpal tunnel syndrom. Den som kontinuerligt eller regelbundet använder denna maskin måste således kontrollera tillståndet av händerna och fingrarna noggrant. Vänd dig genast till en läkare för närmare undersökning, om något ovanligt märks i dina händer eller fingrar.**

### Arbets säkerhet

- Försök inte att borra i annat material än vad verktyget är avsett för.
- Granska arbetsytan före varje arbetsinsats. Avlägsna alla föremål som kan kastas iväg eller trassla in sig.
- Tag på dig en mask för andningsskydd vid borring i en yta besprutad med insektsdödare.
- Håll alla barn, djur, åskådare och medhjälpare på minst 5 m avstånd från redskapet. Stanna omedelbart motorn, om någon kommer i närheten.
- Håll redskapet stadigt med båda händerna.
- Se till att du står stadigt och med god balans. Sträck dig aldrig för att öka räckvidden.
- Håll alla kroppsdelar borta från ljuddämpare och skärutrustning så länge motorn går.

### Skötsel säkerhet

- Sköt om redskapet enligt anvisningarna.
- Tag bort tändkabeln från tändstiftet innan du utför några underhållsarbeten med undan-tag för förgasarinställningar.
- Låt inte någon stå i närheten vid förgasarjusteringar.
- Använd endast av tillverkaren rekommenderade reservdelar i originalutförande från HITACHI.

### Transport och förvaring

- Bär alltid redskapet med motorn avstängd och ljuddämparen vänd bort från kroppen.
- Låt motorn svalna, töm bränsletanken och spänn fast redskapet för förvaring eller transport i ett fordon.
- Töm bränsletanken innan du ställer undan redskapet för förvaring. Vi rekommenderar att bränslet töms efter varje användning. Om det finns bränsle kvar i tanken måste redskapet förvaras så att något bränsle inte kan rinna ut.
- Förvara redskapet oåtkomligt för barn.
- Rengör motorsågen noga och förvara den i ett torrt utrymme.
- Före transport och förvaring: Kontrollera att stoppknappen står i frånslaget läge.
- Vid transport av gräsrojar i en bil skall skäret täckas med skärskyddet eller filt.

Om en situation som inte behandlas i denna bruksanvisning uppstår, så var försiktig och använd sunt förnuft. Kontakta HITACHI-återförsäljaren, om du behöver hjälp. Tag kontakt med återförsäljaren om du behöver hjälp. Särskilt viktiga avsnitt har i det följande markerats på tre olika sätt beroende på graden av betydelse:

### **WARNING!**

Information som är av största betydelse för att undvika allvarlig personskada eller dödsfalli.

### **VIKTIGT!**

Information av stor betydelse för att undvika personskada eller skada på maskin och utrustning.

### **OBSERVERA!**

Information som är viktig för att klargöra en åtgärd och därmed undvika misstag.

### **VIKTIGT!**

Ta inte isär rekylistartaren, eftersom det är lätt att skada sig på rekylfjädern.



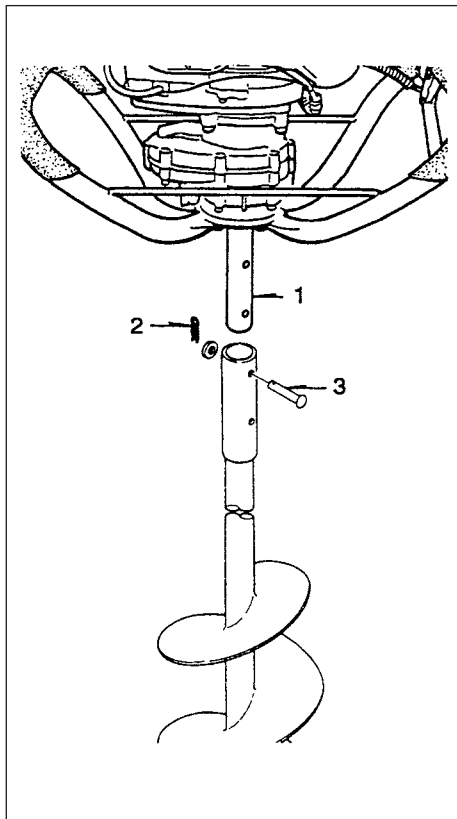


Fig.1-1

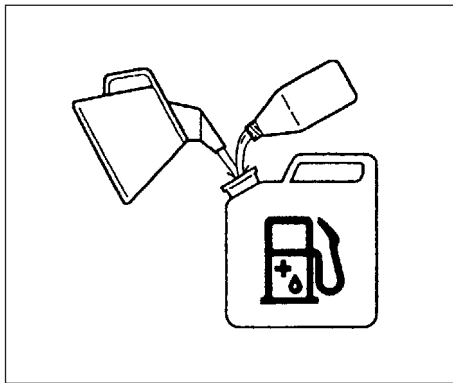


Fig.2-1

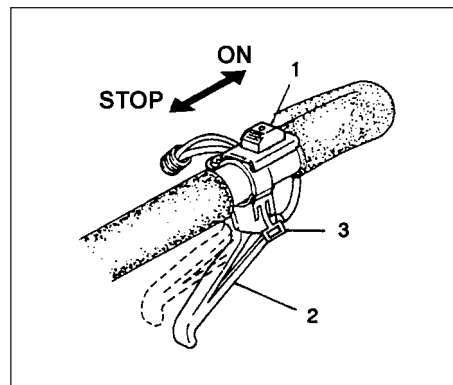


Fig. 2-2

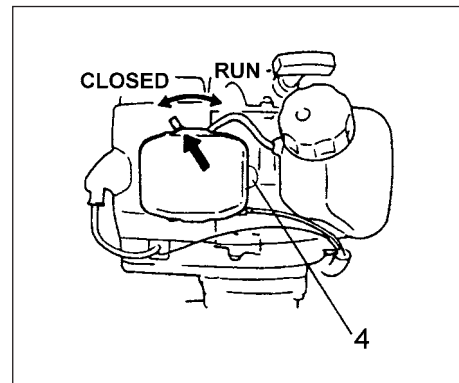


Fig. 2-3

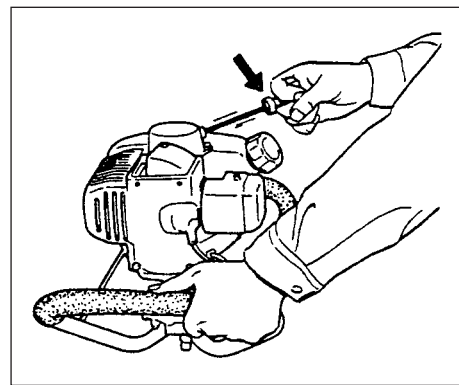


Fig. 2-4

### 3. Montering

#### Borrrens montering (Fig. 1-1)

Anslut borrhspetsen till drivaxeln (1) på motorn och fäst den genom att först sätta in fästpinnarna (3) och brickorna på de två ställena och sedan låsa hela borrhspetsen med låspinnarna (2).

#### Val av lämplig borrh

Välj borrh efter materialet, som skall borras. Använd en isborrh vid borring i is. Använd en jordborrh vid borring i marken.

### 4. Användning

#### Bränsle (Fig. 2-1)

#### ⚠️ **WARNING!**

**Denna motordrivna vridborrh är försedd med en tvåtaktsmotor. Den skall alltid köras på oljeblandad bensin.**

**Se till att ventilationen är tillfredsställande vid tankning eller hantering av bränslet.**

#### Besin

- Använd alltid 89-oktanig blyfri bensin.
- Använd tvåtaktsolja i originalutförande eller en blandning mellan 25 och 50 : 1, angående mängd se uppgift på oljeflaskan eller fråga HITACHI-återförsäljaren.
- Förhållandet 50:1 gäller endast kalifornien i Förenta staterna.
- Om originalolja inte finns tillgänglig, får en olja av hög kvalitet med tillsats av ett antioxidationsmedel och uttrycklig märkning för användning i tvåtaktsmotorer (JASO FC GRADE OIL eller ISO EGC GRADE) användas. Använd inte olja av typ BIA eller TCW (avsedd för vattenkylda tvåtaktsmotorer).
- Använd aldrig motorolja eller liknande.
- Blanda alltid bensin och olja i en separat och ren behållare.

Börja med att fylla i halva bensinmängden. Fyll därefter i hela mängden olja och blanda (skaka). Fyll sedan i den resterande bensinmängden och blanda (skaka) omsorgsfullt innan blandningen hälls i bränsletanken.

#### Bränslepåfyllning

#### ⚠️ **WARNING!**

- **Stanna alltid motorn vid bränslepåfyllning.**
- **Öppna bränsletankens lock långsamt vid påfyllning av bränsle, så att eventuellt övertryck försvinner.**
- **Drag åt tanklocket ordentligt efter tankning.**
- **Flytta alltid maskinen minst 3 m åt sidan innan motorn startas.**

Rengör runt tanklocket innan bränsle fylls för att hindra smuts från att falla ner i tanken. Se till att bränslet är ordentligt blandat före tankning genom att skaka behållaren.

#### Start

1. Skjut stoppknappen (1) i ON-läge. (Fig. 2-2)  
\*Pumpa på handpumpens blåsa (4) tills bränslet strömmar in i blåsan eller returledningen(5). (om sådana finns). (Fig. 2-3)
2. Om maskinen är utrustad med gasregleringslås, så dra åt avtryckaren för gasreglering (2) och håll gasregleringslåset intryckt (3). Släpp sedan sakta avtryckaren. Detta låse avtryckaren i läge får startgas. (Fig. 2-2)
3. Skjut chokereglaget till stängt läge. (Fig. 2-3)
4. Drag kraftigt i starthandtaget. Håll stadigt i handtaget.! (Fig. 2-4)
5. När motorn visar tecken till att starta, öppna chokereglaget och drag återigen kraftigt i starthandtaget.(Fig. 2-3)

#### **ANMÄRKNING!**

Om motorn inte startar så upprepa momenten 2-5.

6. Glöm inte att varmköra motorn i 2-3 minuter innan den belastas.

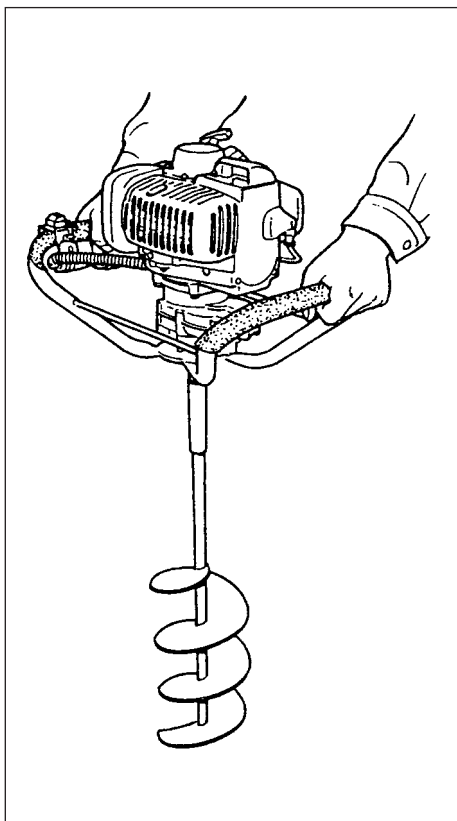


Fig. 2-5

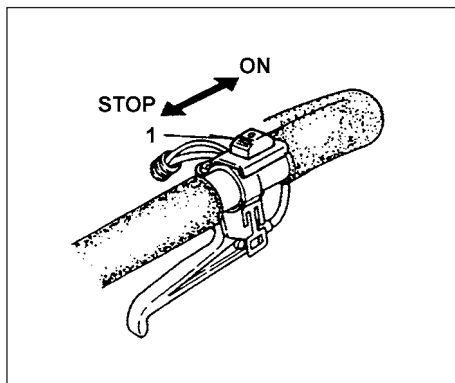


Fig. 2-6

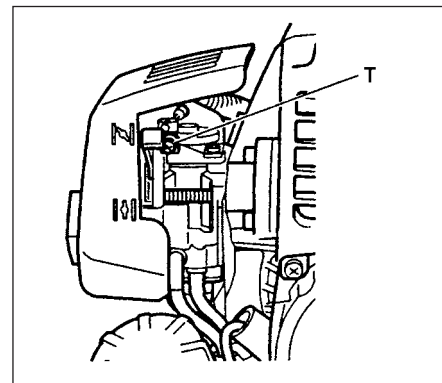


Fig. 3-1

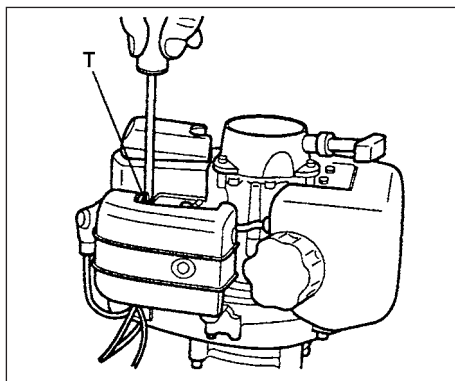


Fig. 3-1B

#### Borring (Fig. 2-5)

##### ⚠️ **WARNING!**

Rör aldrig vid skäret när motorn går för att undvika olyckor. Slå alltid från tändbrytaren före vidröring av skäret.

1. Håll i borren med båda händerna och håll borren stadigt på plats så att varken du eller borren svänger runt när borrarspetsen roterar.
2. Placera borrarspetsen på stället, där du vill börja borrar. Sätt igång med borrar. Borrar går lätt tack vare centrifugalkopplingen.
3. Stanna motorn, när det uppstår kraftiga vibrationer eller avvikande ljud. Kontrollera borren och borrarspetsen.
4. Längre tids borrar utan avbrott trötter ut dig. Ta då och då en paus under borrar.

#### Stopp av motorn (Fig. 2-6)

- Släpp gasreglaget och skjut stoppknappen till STOP - läge.

## 5. Underhåll

**ANORDNINGARNA OCH SYSTEMEN FÖR EMISSIONSKONTROLL FÅR UNDER-  
HÅLLAS BYTAS ELLER REPARERAS AV EN  
VANLIG MASKINREPARATÖR ELLER VID  
EN VANLIG VERKSTAD FÖR  
MOTORREDSKAP.**

#### Förgasarjustering (Fig. 3-1, 1B)

##### ⚠️ **WARNING!**

Bit kan rotera fortfarande under inställningen av förgasaren.

##### ⚠️ **WARNING!**

Starta aldrig motorn när kopplingskåpan och växellådan inte är monterade. Kopplingen kan annars lossna och förorsaka personskador.

I förgasaren blandas bränsle och luft. När motorn provkors vid fabriken justeras även förgasaren. Om ytterligare justering behövs, orsakat av klimat eller höjdläge, finns bara en justeringsmöjlighet:  
T = Justerskruv för tomgångsvarvtal.

#### Tomgångsjustering (T)

Kontrollera att luftfiltret är rent. Vid korrekt inställt tomgångsvarvtal roterar inte skäret. Om justering krävs så vrid T-skraven medurs med motorn igång tills skäret börjar rotera. Vrid skruven därefter moturs tills skäret slutar rotera. Rätt tomgångsvarvtal har uppnåtts när motorn går jämnt i alla lägen på ett varvtal som är lägre än det då skäret börjar rotera. Kontakta HITACHI-återförsäljaren, om borren efter justering av hastigheten fortfarande roterar.

##### **OBSERVERA!**

Varvtalet vid standardtomgången är 2500~3000 varv per minut.

##### **OBSERVERA!**

På en del modeller som säljs i områden med stränga regler för avgasutsläpp kan högt eller lågt varvtal på förgasaren inte ställas in. Sådan justering kan medföra att motorn öppnas utanför gränsen för tillåtna utsläpp. För dessa modeller är inställning av tomgångshastigheten den enda förgasarinställning som kan göras.

För modeller som medger inställning av lågt eller högt varvtal har förgasaren förinställts vid tillverkningen. Genom finjustering kan prestandan optimeras i förhållande till klimat, höjdnivå o.s.v. Vrid dock aldrig justeringskruvorna mer än 90 grader åt gången, eftersom felinställning kan resultera i motorskada. Rådgör med HITACHI återförsäljare, om du inte är bekant med denna typ av inställning.

##### ⚠️ **WARNING!**

Skäret får under inga omständigheter rotera när motorn går på tomgång.

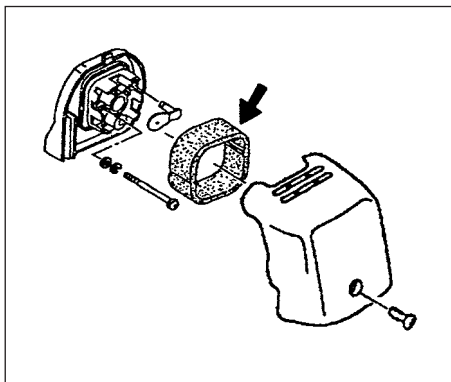


Fig. 3-2

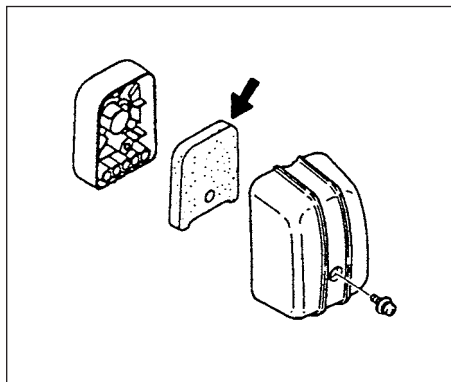


Fig. 3-2B

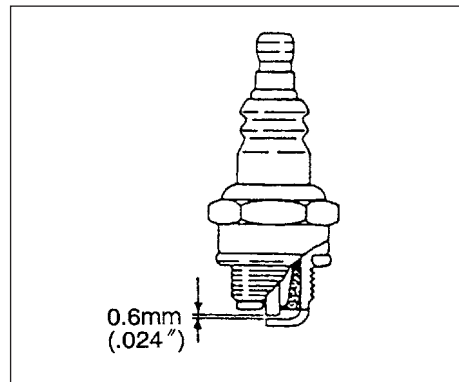


Fig. 3-3

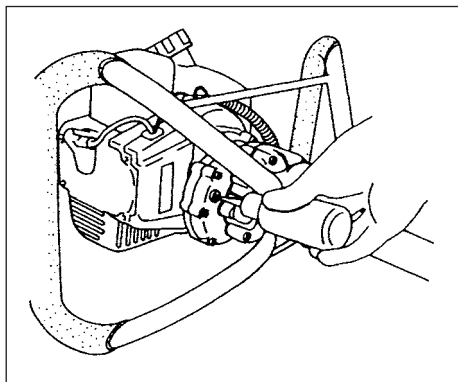


Fig. 3-4

#### Luftfilter (Fig. 3-2, 2B)

Luftfiltret måste vara rent för att undvika:

- Felaktig förgasarfunktion.
- Startsvårigheter.
- Effektsänkning.
- Onödigt slitage av motorn.
- Onormalt hög bränsleförbrukning.

Rengör filtret dagligen eller oftare om saxen används på speciellt dammiga arbetsområden.

#### Rengöring av luftfilter

Tag bort luftfilterkåpan och filtret. Tvätta filtret i varm tvållösning. Kontrollera att filtret är torrt innan det monteras. Ett använt filter kan inte rengöras helt och hållet. Det bör därför bytas ut med jämna mellanrum. Ett skadat filter måste alltid bytas ut mot ett nytt.

#### Tändstift (Fig. 3-3)

Tändstiftet påverkas av:

- Felaktig förgasarjustering.
- Felaktig bränsleblandning (för mycket olja i bensinen).
- Smutsigt luftfilter.
- Svåra arbetsförhållanden (t.ex. kyla).

Dessa faktorer orsakar beläggning på tändstiftets elektroder och kan innebära motorstörningar och startproblem. Om motorn lämnar låg effekt, är svårstartad eller går ojämnt på tomgång så kontrollera tändstiftet först. Om tändstiftet är smutsigt, rengör och kontrollera elektrodavståndet. Justera om så behövs. Avståndet skall vara 0.6 mm. Tändstiftet skall bytas efter ca 100 timmars körning eller tidigare om elektroderna är kraftigt avbrända.

#### OBSERVERA!

I vissa länder kräver lagen användandet av avstörda tändstift för att undvika tändstörningar. I det fall att denna maskin levererats med avstört tändstift, skall samma typ av tändstift användas vid utbyte.

#### Växel (Fig. 3-4)

Kontrollera smörjfettets nivå i växeln eller drevet varje gång du använt apparaten i ca. 50 timmar tag då bort proppen till smörjfettsintaget som sitter på växellådan.

Om inget fett syns inne i växeln skall den påfyllas med ett litumbaserat universalfett av hög kvalitet. Fyll dock inte till fullt, utan bara till en 3/4-delars nivå.

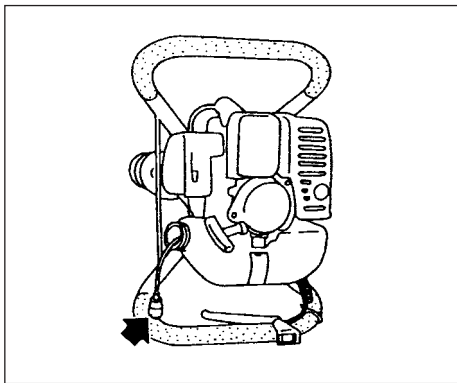


Fig. 3-5

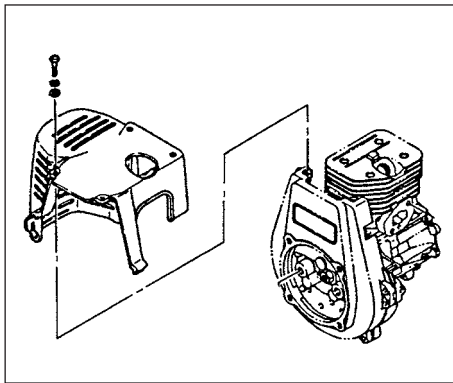


Fig. 3-6

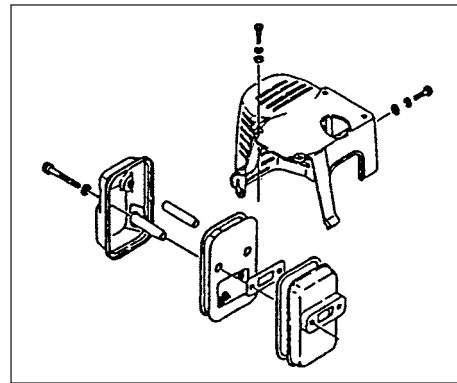


Fig. 3-7

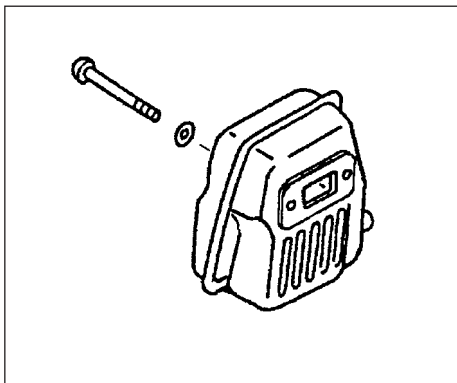


Fig. 3-7B

#### Bränslefilter (Fig. 3-5)

Tappa av bränslet helt ur bränsletanken och drag ut kabeln för bränslefiltret från tanken. Drag också ut filterelementet ur hållarenheten och skölj elementet i varmt vatten med tvättmedel i.

Skölj elementet noggrant, så att inget spår av tvättmedel finns kvar därpå. Kläm ur vatten, men vrid aldrig elementet. Torka sedan elementet i luften.

#### OBSERVERA!

Om filtret är hårt på grund av damm och smuts, skall det bytas ut.

#### Rengöring av cylinderflänsarna (Fig. 3-6)

När träflisor fastnar mellan cylinderflänsarna kan motorn bli överhettad, vilket minskar motoreffekten. Håll alltid cylinderflänsarna och flänshuset rena för att undvika detta. Kontrollera detta var 100:e driftstimme eller en gång per år. OBS! Kan behövas oftare. Rengör motorn från damm och olja då även detta påverkar motorns skylning.

#### Rengöring av ljuddämparen (Fig. 3-7, 7B)

Tag bort ljuddämparen och gnistfångaren, (om denna eventuellt är monterad), och rensa bort sot som sitter i avgaskanalen och ljuddämparen efter 100 timmars användning.

#### Långtidsvörvaring

Tappa ur bränslet från bränsletanken. Starta motorn och låt den gå på tomgång tills den stannar av bränslebrist. Reparera eventuella skador. Rengör saxen med avfettning och blås om möjligt med tryckluft. Droppa några droppar tvåtaktolja i cylindern genom tändstiftshålet och dra runt motorn några gånger så att oljan sprids. Smörj klippladen med maskinolja. Täck över saxen och förvara den på torr plats.

#### Underhållsschema

Nedan följer några allmänna underhållsrekommendationer. För ytterligare information ber vi dig ta kontakt med en HITACHI-återförsäljare.

#### Daglig tillsyn

- Rengör maskinen utvändigt.
- Kontrollera att borrhjulet har centerats på korrekt sätt och att det är vasst utan sprickor. Ett excentriskt borrhjul blir orsak till hårda vibrationer som kan skada borren.
- Kontrollera att muttern, som fäster borrhjulet, dragits åt ordentligt.
- Kontrollera att samtliga skruvar och muttrar är åtdragna.

#### Veckotillsyn

- Kontrollera startapparaten, speciellt lina och retur fjäder.
- Rengör tändstiftet utvändigt.
- Demontera tändstiftet och kontrollera elektrodavståndet. Justera till 0,6 mm byt stift om elektroderna är slitna.
- Rengör kylflänsarna på cylindern och kontrollera att luftintagen vid startapparaten inte är igensatta.
- Kontrollera att växelhuset eller översändande är till 3/4 fyllt med fett.
- Rengör luftfiltret.

#### Månadstillsyn

- Rengör bränsletanken med bensin.
- Rengör förgasaren utvändigt liksom utrymmet runt omkring.
- Rengör fläkten och utrymmet runt omkring.

## 6. Tekniska data

MODEL

DA 200E(S)



Motorstorlek (ml)..... 33 (2.00 cu. in.)



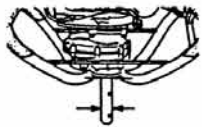
Tändstift ..... CHAMPION CJ6Y or RCJ6Y  
eller likvärdigt



Bränsletankens rymd ( l )..... 0.70 (23.6 fl. oz)



Torrsvikt (kg)..... 8.0(17.6 lbs)



Utgående axels diameter (mm).....25.0



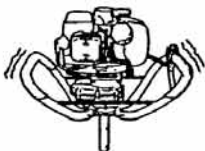
Max borrhåldiameter (mm).....150(5.9 in)  
(jordborring)



Ljudtrycksnivå (dB(A)) .....94.5  
(EN27917)



Ljudeffektnivå (db(A))..... 116



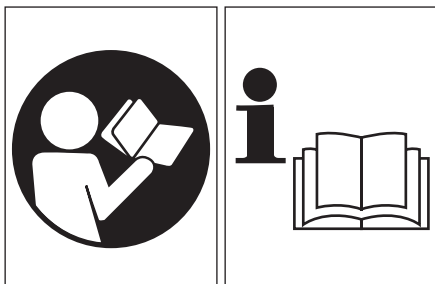
Vibrationsnivå (m/s<sup>2</sup>)(ISO 7916)  
höger handtag ..... 7.2  
vänster handtag ..... 6.3

OBSERVERA: Överensstämmande buller- och vibrationsnivåer har beräknats som den tidsvägda totalenergin för buller- och vibrationsnivåer under olika arbetsförhållanden med följande tidsfördelning: 1/2 tomgångsvarvtal, 1/2 rusningsvarvtal.  
\*Rätt till ändringar förbehålls.

# HITACHI

## DA200E (S)

DK

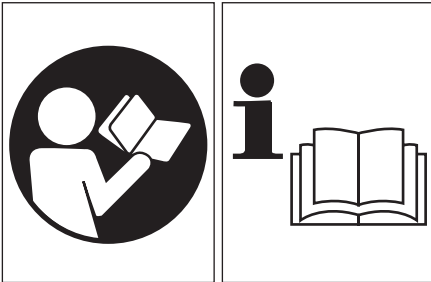


Læs denne brugsvejledning omhyggeligt, inden maskinen tages i brug.

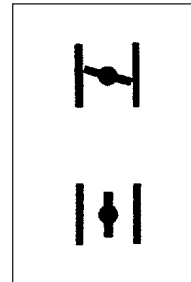
**Betjeningsvejledning**

## ADVARSEL

Motorudstødningen fra dette produkt indeholder kemikalier, som i staten Californien anses for at fremkalde kræft, fødselsskader og andre



Det er vigtigt, at du læser, fuldt ud forstår og overholder de følgende sikkerhedsforanstaltninger og advarsler. Skødesløs eller forkert brug af denne enhed kan forårsage alvorlige eller dødelige kvæstelser.



Forklarer chokerposition. Øverste mærke markerer choker lukket, og det nederste helt åben.



Læs, forstå og følg alle advarsler og instruktioner i denne manual og på



Rør ikke ved boret, når motoren kører.



Brug altid beskyttelsesudstyr for øjne, hovedet og ører under brugen af denne

### Inden du bruger maskinen

- Læs manualen omhyggeligt.
- Kontroller, at udstyret er samlet korrekt og indstillet.
- Start enheden og kontroller karburatorindstillingen. Se "Vedligeholdelse".

## Overensstemmelseserklæring

Vi, Nikko Tanaka Engineering Co., Ltd., 3-4-29 Tsudanuma, Narashino, Chiba, Japan

Erklærer som eneansvarlig, at produktet motordrevet bor model

DA200E (S)

som denne erklæring vedrører, er i overensstemmelse med de væsentlige sikkerhedskrav, som er specificeret i direktiverne

98/37/EC, 89/336/EEC, 2000/14/EC

De følgende standarder har været iagttaget.

ISO 3864 (EN ISO 1200-1/2)

Produceret ved : Chiba, Japan den 05/01/2007

Underskrift:



Yoshio Osada

Serienr. op fra

E570001

Position: Direktør

## Indholdsfortegnelse

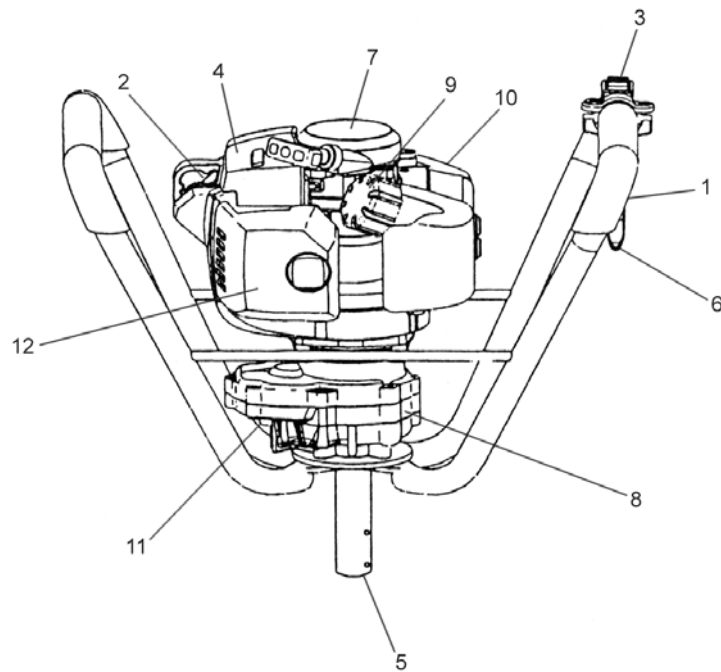
Hvad er hvad? —————	4
Advarsler og sikkerhedsinstruktioner —————	5
Samleprocedur —————	6
Betjening —————	6
Vedligeholdelse —————	7
Specifikationer —————	10



# 1. Hvad er hvad?

Denne manual dækker flere modeller, derfor kan der være forskelle mellem billeder og din enhed. Brug de instruktioner, der gælder for din enhed.

1. Håndtag
2. Tændrørshætte
3. Tændingskontakt
4. Lyddæmper
5. Drivaksel
6. Gashåndtag
7. Rekylstarter
8. Gearkasse
9. Brændstofdæksel
10. Brændstoftank
11. Smørenippel
12. Luftfilter



## 2. Advarsler og sikkerhedsinstruktioner.

### Operatørsikkerhed

- Brug altid ansigtsskærm eller briller af sikkerhedshensyn.
- Bær altid kraftige, lange bukser, støvler og handsker. Bær ikke løse klæder, smykker, korte bukser, sandaler eller gå barfodet. Sikre hår, så det er over skulderhøjde.
- Betjen ikke denne enhed/maskine, hvis du er træt, syg eller påvirket af alkohol, stoffer eller medicin.
- Lad aldrig et barn eller en uerfaren person betjene maskinen.
- Brug høreværn.
- Start resp. lad aldrig maskinen køre i et lukket rum eller lukket bygning. Indånding af udstødningssgasser kan være dræbende.
- Hold greb fri for olie og brændstof.
- Hold hænderne væk fra boret.
- Tag ikke fat på og hold ikke enheden i boret.
- Når enheden slukkes, skal du sørge for, at boret er stoppet, før enheden sættes ned.
- Ved længere arbejder skal man holde regelmæssige pauser for at undgå legemsbeskadigelser f.eks. i form af vibrationer (Raynaud fænomen / "White Finger Disease").
- Kontroller alle fastgørelseselementer på maskinen for at sikre, at ikke noget løsner sig under driften.
- Kontroller, at det område du vil grave i, er fri for alle hindringer og blokeringer. Der kan være elementer begravet under overfladen som f.eks. kabler, vandrør osv. Hvis du er i tvivl om deres placering, så spørg hos de lokale myndigheder.
- Dette bor er konstrueret til at bore gennem jord. Forsøg aldrig at bore gennem massive objekter som træ, klippe eller metal.
- Forsøg aldrig at ændre eller udskifte den pin, der sikrer borbitten til el-hovedet. Brug af alt andet end den normale pin kan forårsage kvæstelser.
- Denne model er konstrueret til at kunne arbejde med en borbit med en diameter på indtil 8 tommer. Forsøg aldrig at bruge en større bit på denne maskine.
- Kontroller før starten, at begge operatører er i en position, hvor de kan gribe fast om begge håndtag og er i stand til at få sikkert fodfæste. Arbejd aldrig på stejle skrånninger, hvor der er større muligheder for at falde.
- Huller, som laves med denne maskine, kan være farlige for andre. Efterlad aldrig et hul uden opsyn, hvor det kan være en sikkerhedsrisiko.

### Enhed/maskinsikkerhed

- Undersøg hele enheden/maskinen før hver brug. Udskift beskadigede dele. Kontroller for brændstofflækager og kontroller, at alle fastgørelser er på plads og spændt sikkert. Udskift dele, der er revnede, skårede eller beskadiget på nogen måde, inden du bruger maskinen.
- Kontroller, at sikkerhedsskærmen sidder korrekt.
- Brug kun tilbehør, som er anbefalet af producenten til denne maskine.
- Lad aldrig kæden ramle mod nogen forhindring.

### ADVARSEL!

**Foretag aldrig ændringer på enheden/maskinen under nogen form. Bor ikke i andre materialer end sådanne, som udstyret er beregnet til.**

### Brændstofsikkerhed

- Bland og hæld brændstof på udendørs, og hvor der ikke er nogen gnister eller flammer.
- Brug en beholder, som er godkendt til brændstof.
- Ryg ikke og tillad ikke rygning nær brændstof eller enheden/maskinen eller under brugen af enheden/maskinen.
- Tør alt spildt brændstof op, inden du starter maskinen. Gå mindst 3m væk fra påfyldningsstedet, inden du starter motoren.
- Stop motoren før du fjerner brændstofdækslet.
- Tøm brændstofftanken, inden du sætter enheden/maskinen til opbevaring. Det anbefales, at brændstoffet tømmes af efter hver brug af enheden/maskinen. Hvis der efterlades brændstof i tanken, så opbevar enheden/maskinen, så brændstoffet ikke lækker.
- Opbevar enhed/maskine og brændstof i et område, hvor dampe fra brændstof ikke kan komme i kontakt med gnister eller åben ild fra vandvarmere, elektriske motorer eller kontakter, ovne osv.

### ADVARSEL!

**Antivibrationssystemer garanterer ikke, at du slipper for at få hvide fingre eller carpal tunnel syndrom. Derfor skal vedvarende og regelmæssige brugere holde øje med deres hænders og fingres tilstand. Søg straks læge, hvis nogen af de ovenfor nævnte symptomer opstår.**

### Boresikkerhed

- Bor ikke i andre materialer end sådanne, som udstyret er beregnet til.
- Inspicer det område, der skal bores i, før hver brug. Fjern objekter som kan slynges omkring eller vikles ind.
- For åndedrætsbeskyttelse bær en aerosol beskyttelsesmaske, hvis du borer i området efter spredning af insektdræbende midler.
- Hold andre inklusive børn, dyr, tilskuere og hjælpere uden for risikozonen på 5 m. Stop straks motoren, hvis nogen nærmer sig.
- Hold enheden/maskinen fast med begge hænder.
- Hold fast fodfæste og balance. Stræk ikke for langt ud.
- Hold alle legemsdele væk fra lyd-dæmperen og borespiralen, når motoren kører.

### Vedligeholdelsessikkerhed

- Vedligehold enheden/maskinen i overensstemmelse med anbefalede procedurer.
- Tag tændrøret ud, inden du udfører vedligeholdelse, bortset fra ved karburatorindstilling.
- Hold andre væk, når du indstiller karburatoren.
- Brug kun originale HITACHI reservedele som anbefalet af producenten.

### Transport og opbevaring

- Bær enheden/maskinen med hånden med motoren stoppet og lyd-potten væk fra din krop.
- Lad motoren køle af, tøm brændstofftanken, og sikre enheden/maskinen, inden du sætter den til opbevaring eller transporterer den i et køretøj.
- Tøm brændstofftanken før du sætter enheden/maskinen til opbevaring. Det anbefales at tømme brændstofftanken efter hver brug. Hvis der efterlades brændstof i tanken, så opbevar enheden/maskinen, så den ikke lækker brændstof.
- Opbevar enheden/maskinen uden for børns rækkevidde.
- Rengør og vedligehold enheden omhyggeligt og opbevar den et tørt sted.
- Kontroller, at motorkontakten er afbrudt under transport og opbevaring.
- Dæk boret med et dæksel eller tæppe, når enheden transporteres med et køretøj.

Hvis der forekommer situationer, som ikke er dækket af denne manual, så vær omhyggelig og brug den sunde fornuft. Kontakt din HITACHI forhandler, hvis du behøver assistance.

Vær særlig opmærksom på udsagn, hvor følgende ord står foran:

### ADVARSEL!

**Hvis instruktionerne ikke følges, kan der være fare for alvorlige personskader eller død.**

### FORSIGTIG!

Hvis instruktionerne ikke følges, kan der være fare for personskader eller skader på udstyret.

### BEMÆRK!

Nyttig information for korrekt funktion og brug.

### FORSIGTIG!

Du må ikke skille rekylstarteren ad, da rekylfjederen kan springe ud og forårsage personskade.

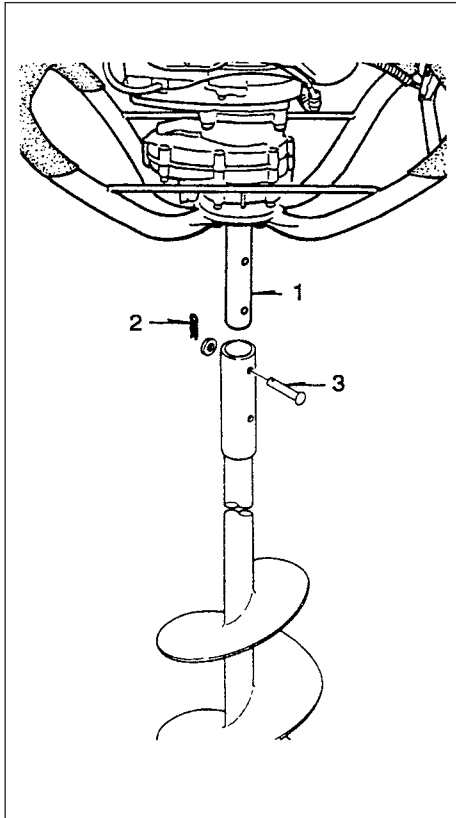


Fig.1-1

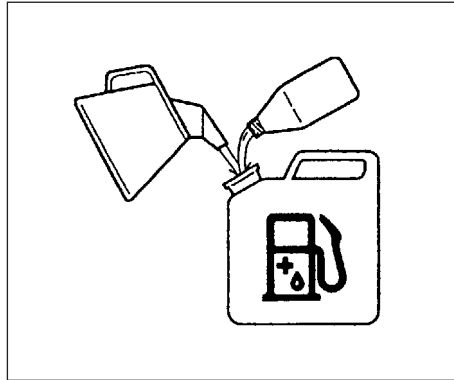


Fig.2-1

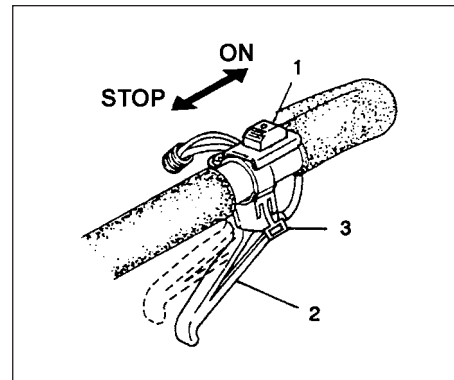


Fig. 2-2

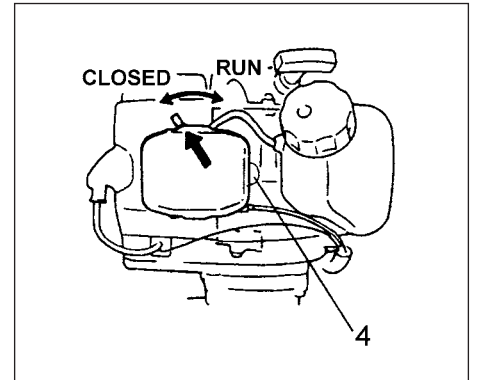


Fig. 2-3

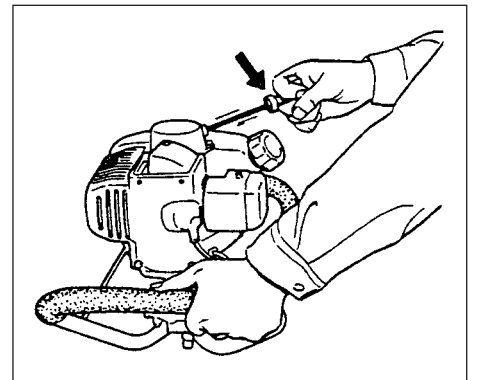


Fig. 2-4

### 3. Samleprocedur

#### Samling (fig. 1-1)

Tilslut boret til motorhovedets drivaksel (1) og fastgør det med låsestifterne (2) efter at have sat fastgørelsesstifterne (3) og skiverne (2 stk. hver) på.

#### Valg af passende bor

Vælg et sneglebor svarende til det materiale, der skal bores i.

Brug et isbor i tilfælde af boring i is. Brug et jordbor ved boring i jord.

### 4. Betjening

#### Brændstof (Fig. 2-1)

##### ⚠ ADVARSEL!

Den motordrevne boremaskine er udstyret med en totakts motor. Lad altid motoren køre på brændstof, som er blandet med olie. Sørg for god ventilation, når du fylder brændstof på eller håndterer det.

#### Brændstof

- Brug altid brandet 89 oktans blyfri benzin.
- Brug original totakts olie eller brug en blanding mellem 25:1 to 50:1, se oliedunken vedr. forholdet, eller kontakt din HITACHI forhandler.
- I staten Californien kun 50:1.
- Hvis original olie ikke er tilgængelig, så brug en kvalitetsolie, der er tilsat en anti-oxidant og udtrykkelig anbefalet til brug i en luftkølet, totakts motor (JASO FC GRADE OIL eller ISO EGC GRADE). Anvend ikke BIA eller TCW (2-takts vandkølet type) blandet olie.

- Bland altid brændstof og olie i en separat, ren container.
- Start altid med at fylde den halve mængde brændstof, som skal bruges, tilsæt så hele oliemængden. Bland (ryst) brændstofblandingen.

Tilsæt så resten af brændstoffet. Bland (ryst) brændstofblandingen grundigt før du fylder på brændstoftanken.

#### Fyld brændstof på

##### ⚠ ADVARSEL!

- Sluk altid for motoren, før du fylder brændstof på.
- Åbn tankdækslet langsomt, når du fylder på, så eventuelt overtryk forsvinder.
- Sæt brændstofdækslet omhyggeligt på efter at have tanket.
- Flyt altid enheden mindst 3 m (10 ft.) væk fra brændstofområdet, før du starter enheden.

Rens tankdækslet omhyggeligt inden du tanket for at sikre, der ikke falder urenheder i tanken. Kontroller, at brændstoffet er godt blandet ved at ryste containeren inden tankning.

#### Start

1. Sæt tændingskontakten (1) på positionen ON. (Fig. 2-2)
- \* Tryk snapsepumpen (4) adskillige gange, så brændstoffet flyder gennem pumpen eller returrøret. (hvis udstyret med det) (Fig. 2-3).
2. Hvis maskinen er udstyret med en lås (3) til gashåndtaget træk gashåndtaget (2) og bliv ved med at skubbe til låsen (3) for at frigøre det låste håndtag (Fig. 2-2)
3. Sæt chokeren i positionen CLOSED. (Fig. 2-3)
4. Træk rekylstarteren kvikt, sørg for godt greb i håndtaget, så det ikke smutter tilbage. (Fig. 2-4)
5. Når du hører motoren ønsker at starte, så sæt chokeren tilbage til positionen RUN (åben). Træk så rekylstarteren kvikt igen. (Fig. 2-3)

#### BEMÆRK!

Hvis motoren ikke starter, gentag procedurerne fra 2 til 5.

6. Når motoren er startet lad den køre 2-3 minutter for at varme op, inden den bliver udsat for belastning.

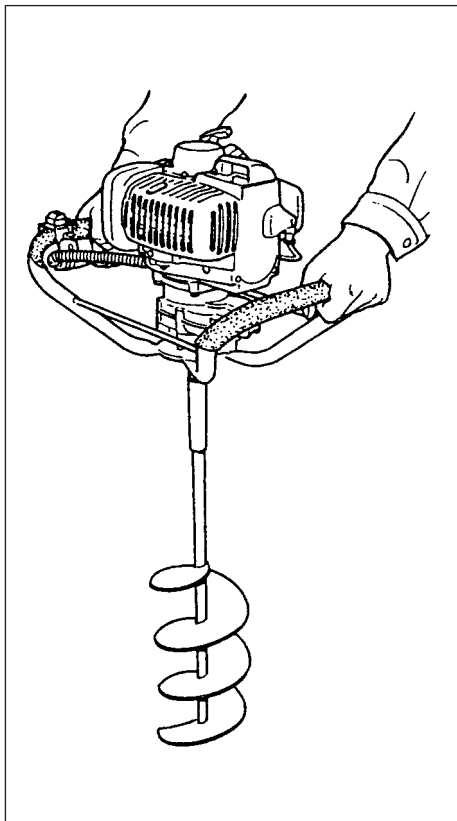


Fig. 2-5

#### Boring (Fig. 2-5)

##### ⚠ ADVARSEL!

Rør ikke ved boret, mens motoren kører, for at undgå uventet uheld. Vær sikker på, at der er slukket ved tændingsafbryderen, før du rører boret.

1. Hold godt fast i håndtaget med begge hænder, så du ikke bliver svinget rundt af enheden.
2. Anbring spidsen af boret lige på det sted, hvor der skal bores, og start så boret. Det er et let job takket være den indbyggede centrifugalkobling.
3. Hvis der forekommer unormal vibration eller støj stop motoren og inspicer enheden.
4. Lang tids arbejde med enheden kan trætte dig. Tag en pause fra tid til anden.

#### Standsning (Fig. 2-6)

- Sæt motorens hastighed ned og skyd tændingskontakten til stoppositionen.

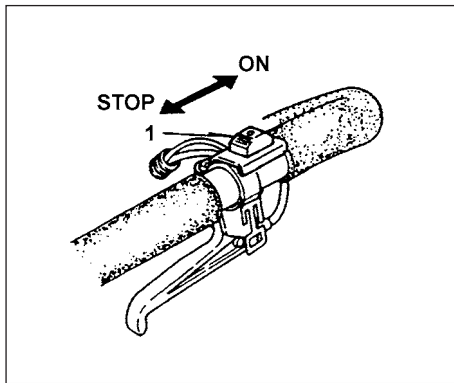


Fig. 2-6

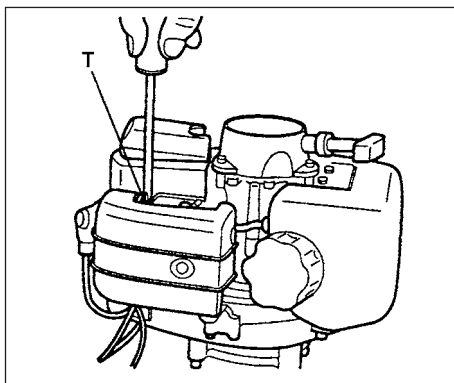


Fig. 3-1B

## 5. Vedligeholdelse

**VEDLIGEHOLDELSE, UDSKIFTNING ELLER REPARATION AF EMISSIONSKONTROLENHEDER OG SYSTEM KAN UDFØRES AF ETHVERT MOTORREPARATIONSVÆRKSTED ELLER INDIVID.**

#### Karburatorindstilling (Fig. 3-1, 1B)

##### ⚠ ADVARSEL!

**Boret kan spinne under karburatorjusteringer.**

##### ⚠ ADVARSEL!

**Start aldrig motoren, før hele koblingsdækslet og gearkassen er samlet! Ellers kan koblingen rive sig løs og medføre personskaade.**

Brændstof blandes med luft i karburatoren. Karburatoren indstilles under testkørsel på fabrikken. Det kan være nødvendigt med yderligere indstilling passende til klima og højde. Karburatoren har en indstillingsmulighed: T = Tomgangs indstillings skrue.

#### Tomgangsindstilling (T)

Kontroller, at luftfilteret er rent. Hvis tomgangshastigheden er korrekt, roterer boret ikke. Hvis det er nødvendigt at justere, så drej T-skruen (med uret) med motoren kørende, til boret begynder at rotere. Åbn skruen (mod uret), til boret stopper. Du har den korrekte tomgangshastighed, når motoren kører jævnt i alle positioner under det omdrejningstal pr. minut, hvor boret begynder at rotere. Hvis boret stadig roterer efter justering af tomgangshastigheden, så kontakt HITACHI forhandleren.

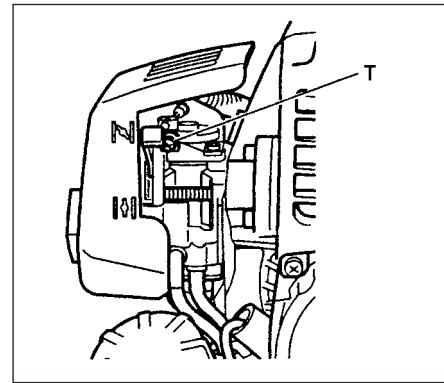


Fig. 3-1

#### BEMÆRK!

Standardomdrejningstallet i tomgang er 2.500-3.000 o/m.

#### BEMÆRK!

Nogle modeller, som sælges i områder med streng e regler for udstødningens emission, har ikke karburatorindstillinger for høj og lav hastighed. Sådanne indstillinger kan tillade, at motoren bruges ud over grænserne for deres emissions overholdelse. For disse modeller er tomgang den eneste karburatorindstilling.

For modeller, der er udstyret med indstillinger for lav og høj hastighed, er karburatorerne forudindstillet fra fabrikken. Mindre indstillinger kan optimere ydelsen baseret på klima, højde osv. Drej aldrig indstillingsskruerne i spring over 90 grader, da forkert indstilling kan beskadige motoren. Kontakt din HITACHI-forhandler, hvis du ikke er fortrolig med den type indstillinger.

##### ⚠ ADVARSEL!

**Når motoren kører i tomgang, må boret under ingen omstændigheder rotere.**

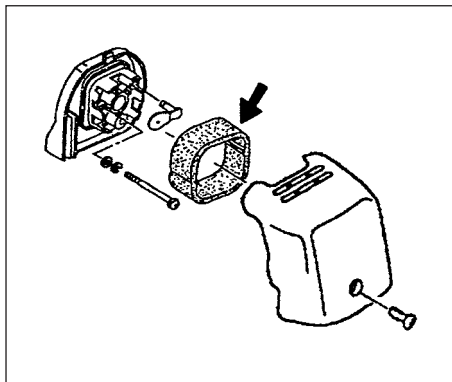


Fig. 3-2

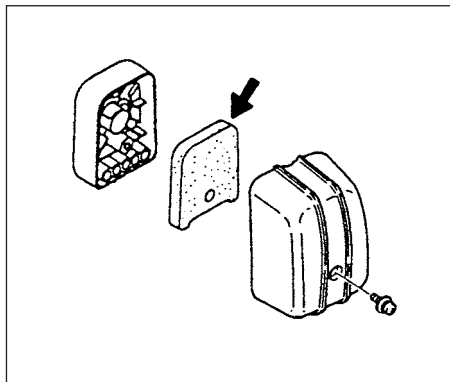


Fig. 3-2B

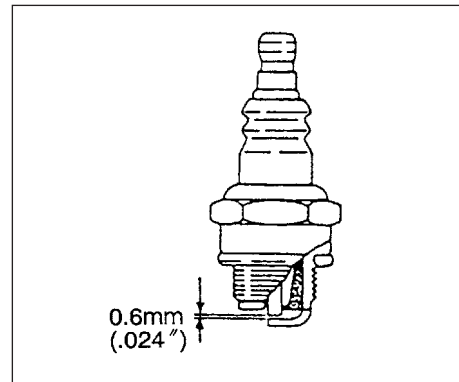


Fig. 3-3

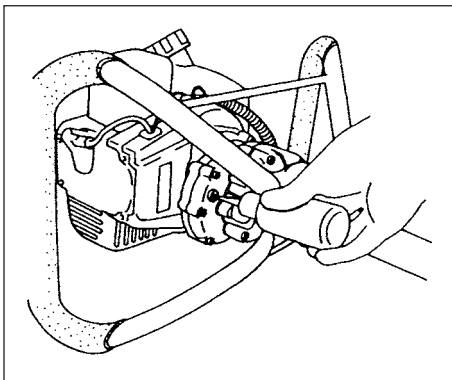


Fig. 3-4

#### Luftfilter (Fig. 3-2, 2B)

Luftfilteret (1) skal renses for snavs og støv for at undgå:

- Funktionsfejl på karburator.
- Startproblemer.
- Reduceret motorydelse.
- Unødvendigt slid på motordele.
- Unormalt brændstofforbrug.

Rens luftfilteret dagligt eller oftere ved arbejde i særligt støvede områder.

#### Rens luftfilteret

Fjern luftfilterets dæksel og filteret. Rens dem i en varm sæbeopløsning. Kontroller, at filteret er tørt inden samling. Et luftfilter, der har været brugt nogen tid, kan ikke renses komplet. Derfor skal det udskiftes regelmæssigt med et nyt. Et beskadiget filter skal altid udskiftes.

#### Tændrør (Fig. 3-3)

Tændrørets tilstand påvirkes af:

- Forkert karburatorindstilling.
- Forkert brændstofblanding (for meget olie i benzinen)
- Et snavset luftfilter.
- Vanskelige driftsforhold (f.eks. koldt vejr).

Disse faktorer forårsager aflejringer på tændrørets elektroder, som kan resultere i funktionsfejl og startvanskeligheder. Hvis motoren har lav ydelse, er vanskelig at starte eller kører dårligt i tomgang, skal du altid først kontrollere tændrøret. Hvis tændrøret er snavset, skal det renses, og elektrodeafstanden måles. Juster om nødvendigt. Den korrekte afstand er 0.6 mm (.024"). Tændrøret bør udskiftes efter ca. 100 driftstimer eller før, hvis elektroderne er slemt eroderede.

#### BEMÆRK!

I nogle områder kræver lokal lovgivning brugen af et modstandstændrør for at undertrykke tændingssignaler. Hvis denne maskine oprindeligt var udstyret med modstandstændrør, så brug samme type ved udskiftning.

#### Transmission (fig. 3-4)

Kontroller fedtniveauet på transmission eller tandhjul for ca. hver 50. driftstimer ved at afmontere fedtpåfyldningsproppen på siden af transmissionen.

Hvis du ikke kan se noget fedt på gearenes flanker, skal du fylde transmissionen op til 3/4 med lithiumfedt af god kvalitet (baseret på universalfedt).

Fyld ikke transmissionen helt.

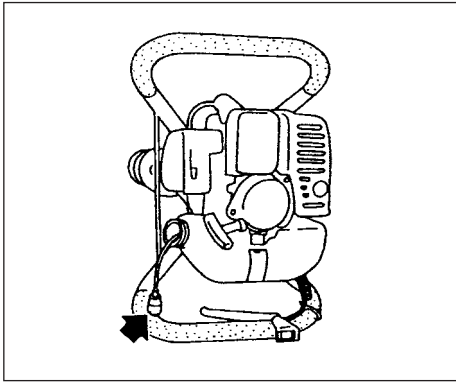


Fig. 3-5

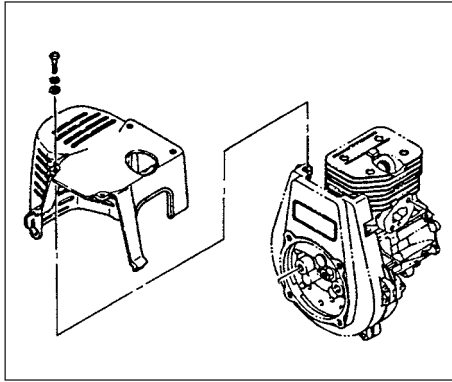


Fig. 3-6

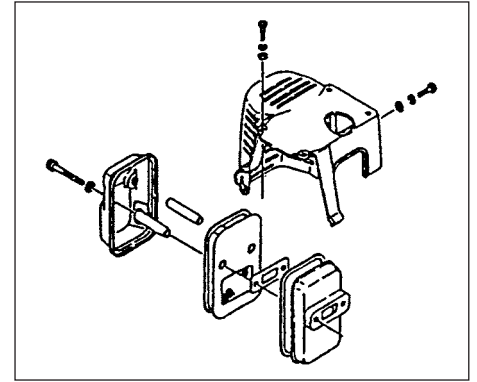


Fig. 3-7

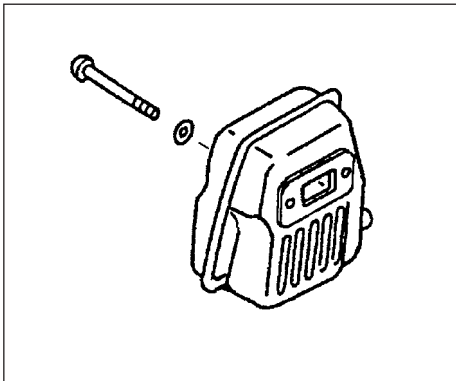


Fig. 3-7B

#### Brændstoffilter (fig. 3-5)

Aftap alt brændstoffet fra brændstoftanken, og træk brændstoffilterledningen fra tanken. Træk filterelementet ud af holdersamlingen, og rens elementet i varmt vand med rengøringsmiddel. Skyl elementet grundigt, indtil alle spor af rengøringsmiddel er fjernet. Klem forsigtigt overskydende vand ud (undlad at vride), og lad elementet lufttørre.

#### BEMÆRK!

Udskift filteret, hvis det er hårdt pga. støv og snavs.

#### Rengøring af cylinderribber (Fig. 3-6)

Hvis der kommer træsplinter i klemme mellem cylinderribberne, kan motoren blive overophedet med lavere ydelse som resultat. Hold altid cylinderribber og ventilatorhus rene for at undgå det.

For hver 100 driftstimer eller en gang om året (oftere hvis nødvendigt) skal finner og ydre overflader på motor rengøres for støv, snavs og olieaflejringer, som kan medføre forringet afkøling.

#### Rensning af lydpotte (Fig. 3-7, 7B)

Rens lydpotte og gnistfanger (hvis udstyret med), og udrens overskydende kul fra udstødningsporten eller lydpotteindgang for hver 100 driftstimer.

#### For langtids opbevaring

Tøm al brændstof ud af brændstoftank. Start motoren og lad den køre, til den stopper. Reparer evt. skader som følge af brugen. Rens enheden med en ren klud eller brug højtryksslange. Kom nogle få dråber totakts motorolie i cylinderen gennem tændrørshullet og drej motoren adskillige gange for at fordele olien. Tildæk enheden og opbevar enheden tørt.

#### Vedligeholdelsesplan

Nedenfor finder du nogle generelle instruktioner for vedligeholdelse. Kontakt HITACHI forhandleren for yderligere information.

#### Daglig vedligeholdelse

- Rengør hæktrimmeren udvendigt.
- Kontrollér, at boret er korrekt centreret, skarpt og uden revner. Et bor, der ikke sidder lige i midten, forårsager kraftige vibrationer, der kan skade enheden.
- Kontrollér, at boret er tilstrækkeligt fastspændt.
- Check at møtrikker og skruer er tilstrækkeligt spændt.

#### Ugentlig vedligeholdelse

- Kontrollér starteren, især rem og returfeder.
- Rens tændrøret udvendigt.
- Fjern tændrøret og kontrollér elektrodeafstanden.
- Rens kølefinerne på cylinderen og kontrollér, at luftindtaget på starteren ikke er stoppet til.
- Kontrollér, at gearkassen er fyldt 3/4 med fedt.
- Rens luftfilteret.

#### Månedlig vedligeholdelse

- Skyl brændstoftanken med benzin og rens brændstoffilter.
- Rens karburatoren udvendigt og pladsen omkring den.
- Rens blæser og pladsen omkring den.

## 6. Specifikationer

MODEL

DA200E (S)



Motorstørrelse (ml) ..... 33 (2.00 cu. in.)



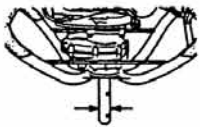
Tændrør ..... CHAMPION CJ6Y or RCJ6Y  
eller tilsvarende



Brændstoftank kapacitet ( l )..... 0.70 (23.6 fl. oz)



Vægt tør (kg)..... 8.0(17.6 lbs)



Drivaksel Diameter (mm)..... 25.0



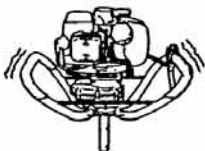
Maks. borstørrelse (mm)..... 150(5.9 in)  
(jord)



Støjniveau (dB(A)) ..... 94.5  
(EN27917)



Støjniveau (db(A))..... 116

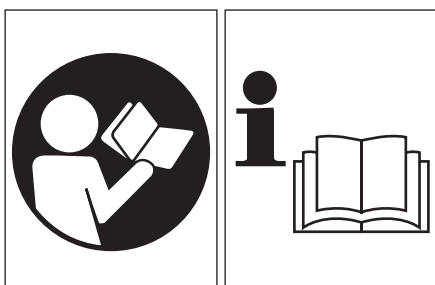


Vibrationsniveau (m/s<sup>2</sup>) (ISO 7916)  
højre håndtag ..... 7.2  
venstre håndtag .....6.3

BEMÆRK : Tilsvarende støjniveau/vibrationsniveau er beregnet som tidsvægtet energi total for støj/vibrationsniveauer under forskellige driftsbetingelser med følgende tidsfordeling: 1/2 tomgang, 1/2 i fuld fart.  
\*Erklærer som eneansvarlig, at produktet hæktrimmer model.

# HITACHI

## DA200E (S)



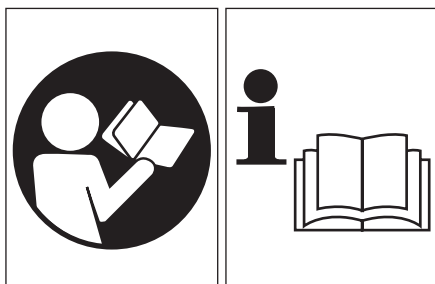
Bruksanvisningen må leses nøye  
før bruk av maskinen.

**Bruksanvisning**



## **ADVARSEL**

Avgassene fra dette produktet inneholder stoffer som er kjent i Staten California som kreftfremkallende, arvestoffskadelige og reproduksjonsskadelige.



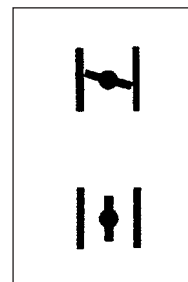
Det er viktig at du leser, forstår innholdet fullstendig og legger merke til sikkerhetsvernetiltak og advarsler. Uforsiktighet eller feil bruk av denne enheten kan forårsake alvorlig eller livsfarlig skade.



Les, forstå og følg alle advarsler og instruksjoner i denne bruksanvisningen og på enheten.



Bruk alltid øye-, hode- og ørebeskyttelse når du bruker denne enheten.



Forklarer chokens posisjon. Det øvre tegnet viser stengt choke, det nedre helt åpen choke.



Ikke rør boret mens motoren går.

### **Før du tar i bruk din nye enhet**

- Les bruksanvisningen nøye.
- Kontroller klippeutstyrets montering og justering.
- Start enheten og kontroller forgasserinnstillingen. Se "Vedlikehold".

## Konformitetserklæring

Vi, Nikko Tanaka Engineering Co., Ltd., 3-4-29 Tsudanuma, Narashino, Chiba, Japan

Erklærer med vårt eneansvar at produktet, motorbør modell

DA200E (S)

som denne deklarasjonen tilhører, er i overensstemmelse med de vesentlige sikkerhetskrav og direktiver.

98/37/EC, 89/336/EEC, 2000/14/EC

Det er tatt hensyn til følgende standarder

ISO 3864(EN ISO 12100-1/2)

Produsert ved: Chiba, Japan

05/01/2007

Underskrift:



Yoshio Osada

Serienr. opp fra

E570001

Stilling:

Direktør

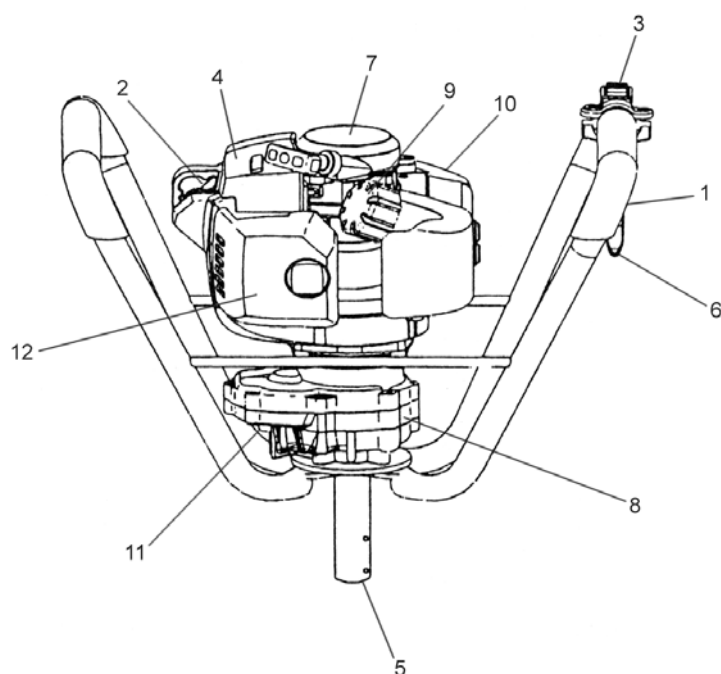
## Innhold

Hva er hva? _____	4
Advarsler og sikkerhetsinstruksjoner _____	5
Montering _____	6
Funksjon _____	6
Vedlikehold _____	7
Tekniske data _____	10

## 1. Hva er hva?

Siden denne bruksanvisningen er felles for flere modeller kan det være noen forskjeller mellom bilder og din enhet. Bruk de instruksjonene som gjelder din enhet.

1. Håndtak
2. Tennplugghette
3. Tenningsbryter
4. Lyddemper
5. Drivaksel
6. Chokeutløser
7. Tilbakestillingsstarter
8. Girkasse
9. Brennstoffdeksel
10. Brennstofftank
11. Smørehull
12. Luftfilter



## 2. Advarsler og sikkerhetsinstruksjoner

### Personlig sikkerhet

- Bruk alltid ansiktsbeskyttelseskjerm eller vernebriller.
- Bruk alltid tykke, lange bukser, støvler og hansker. Ikke bruk løstsittende klær, smykker, korte bukser, sandaler eller gå barbeint. Fest håret slik at det holder seg kortere enn skulderlangt.
- Ikke bruk denne enheten/maskinen når du er trøtt, syk eller påvirket av alkohol, narkotika eller medisiner.
- La aldri barn eller personer uten erfaring bruke maskinen.
- Bruk hørselsvern.
- Aldri start eller kjør motoren inne i et lukket rom eller en bygning. Innånding av eksosgass kan være dødelig.
- Hold håndtakene frie for olje og drivstoff.
- Hold hendene borte fra boreutstyret.
- Ikke grip rundt eller hold enheten i det roterende utstyret.
- Vær sikker på at det roterende tilbehøret har stoppet før enheten settes ned etter at enheten er avslått.
- Ved lengre tids bruk er det nødvendig at du tar en pause fra tid til annen, for å unngå at fingrene eventuelt blir følelsesløse på grunn av vibrasjonene.
- Sørg for å sjekke alle fester på maskinen for å forvise deg om at ikke noe kan løsne under drift.
- Forvis deg om at området hvor du skal grave er uten hindringer og blokkeringer. Visse ting kan være gravd ned under overflaten, som for eksempel ledningskabler, vannrør, osv. Hvis du er usikker på deres plassering - konsulter dine lokale fagekspert.
- Dette boret er designet for boring gjennom jord. Forsøk aldri å bore gjennom massive objekter som treverk, stein eller metall.
- Foreta aldri endringer eller skift ut tappen som fester borespissen til borekronen. Bruk av noe annet enn originaltappen kan forårsake skade.
- Denne modellen er designet for bruk av en borespiss med en maksimal diameter på 200 mm (8 tommer). Forsøk aldri å bruke en større borespiss med denne maskinen.
- Før start, sørg for at begge operatørene er i en posisjon slik at de kan ha et fast grep om begge håndtakene, og at de er i stand til å oppnå forsvarlig fotfeste. Bruk aldri boret i bratte skråninger hvor muligheten for å falle er større.
- Hull laget med denne maskinen kan være farlige for andre. Forlat aldri et hull uten tilsyn der hvor det kan skape en sikkerhetsrisiko.

### Enhet/maskin-sikkerhet

- Kontroller hele enheten/maskinen før hver gangs bruk. Bytt ut ødelagte deler. Kontroller om det er bensinlekkasje og vær sikker på at alle skruene er på plass og godt tilskrudd.
- Erstatt deler som er revnet, sprukket eller ødelagt på noen måte før bruk av enheten/maskinen.
- Hold andre unna når forgasseren justeres.
- Bruk kun tilbehør som er anbefalt av produsenten for denne enheten/maskinen.

### ⚠ ADVARSEL!

**Ikke gjør endringer på enheten/maskinen på noen måte.**  
**Ikke bruk boremaskinen til noe annet arbeid enn det den er beregnet til.**

### Brennstoffsikkerhet MERK!

- Tøm bensintanken før enheten/maskinen settes bort for lagring. Spesielt viktig er det, hvis lagringen varer mer enn tre måneder, ellers kan brennstoffet ruste som kan skade forgasseren. Det anbefales at brennstoffet tømmes ut etter hver gangs bruk. Hvis brennstoff finnes i tanken, må lagringen gjøres slik at brennstoffet ikke lekker ut.
- Bland og fyll brennstoff utendørs på et sted der det ikke finnes gnister eller flammer.
- Bruk en kanne som er godkjent for brennstoff.
- Ikke røyk eller tillat røyking nær brennstoffet eller enheten/maskinen eller når maskinen er i bruk.
- Tørk opp alt søl av brennstoff før motoren startes.
- Flytt deg minst 3 meter fra stedet der brennstoffet ble fylt på før motoren startes.
- Stopp motoren før brennstoffdekslet fjernes.
- Lagre enheten/maskinen og brennstoffet i et område der brennstoffavdunsting ikke kan nå fram til gnister eller åpen flamme som f.eks. vannvarmere, elektriske motorer og brytere, ovner etc.

### ⚠ ADVARSEL!

**Antivibrasjonssystemet garanterer ikke at du vil unngå å få følelsesløse fingre eller carpal tunnel-syndromet. Derfor må de som bruker maskinen regelmessig nøye undersøke tilstanden i hender og fingre.**  
**Hvis noen av de ovenfor nevnte symptomene skulle oppstå, må det søkes medisinsk hjelp øyeblikkelig.**

### Boresikkerhet

- Ikke bor annet materiale enn det utstyret er beregnet for.
- Kontroller området som skal bores før hver gangs bruk. Fjern objekter som kan bli kastet eller sammenfiltret.
- Bruk en aerosol-beskyttelsesmaske som pustebeskyttelse når det skal bores etter at det er spredt insektdrepende midler.
- Hold andre, inkludert barn, dyr, tilskuere og hjelpere, utenfor en faresone på 5 m. Stopp maskinen øyeblikkelig hvis noen nærmer seg.
- Hold enheten/maskinen godt fast med begge hender.
- Stå støtt og godt balansert. Ikke strekk deg for langt.
- Hold alle deler av kroppen borte fra lyddemperen og boretilbehøret når motoren går.

### Vedlikeholdssikkerhet

- Vedlikehold enheten/maskinen i henhold til de anbefalte prosedyrene.
- Koble bort tennpluggen før vedlikehold utføres, unntatt for justering av forgasseren.
- Hold andre unna når forgasseren justeres.
- Bruk kun originale HITACHI reservedeler som er anbefalt av produsenten.

### Transport og lagring

- Bær enheten/maskinen i hånden med motoren av og lyddemperen vendt bort fra kroppen.
- Tillat at maskinen avkjøles, tøm brennstofftanken og sikre enheten/maskinen før lagring eller transport i et kjøretøy.
- Tøm bensintanken for enheten/maskinen settes bort for lagring. Det anbefales at brennstoffet tømmes ut etter hver gangs bruk. Hvis brennstoff finnes i tanken, må lagringen gjøres slik at brennstoffet ikke lekker ut.
- Lagre enheten/maskinen utilgjengelig for barn.
- Rengjør enheten nøye og lagre den på et tørt sted.
- Vær sikker på at motoren er av under transport og lagring.
- Under transport i et kjøretøy må borespissen dekkes til med borspissdekslet eller et teppe.

Hvis det skulle oppstå situasjoner som ikke er omtalt i denne bruksanvisningen må man være forsiktig og bruke sunn fornuft. Kontakt HITACHI-forhandleren hvis du trenger hjelp.  
Vær spesielt oppmerksom på utsagn som er merket med følgende ord:

### ⚠ ADVARSEL!

**Betyr at det er mulighet for stor personlig skade eller tap av liv hvis instruksjonene ikke blir fulgt.**

### FORSIKTIG!

IBetyr at det er mulighet for personlig skade eller skade på utstyret hvis instruksjonene ikke blir fulgt.

### MERK!

Nyttig informasjon for riktig funksjon og bruk.

### FORSIKTIG!

Ikke ta fra hverandre rekylstarteren, du kan bli skadet av rekylstartfjæren.

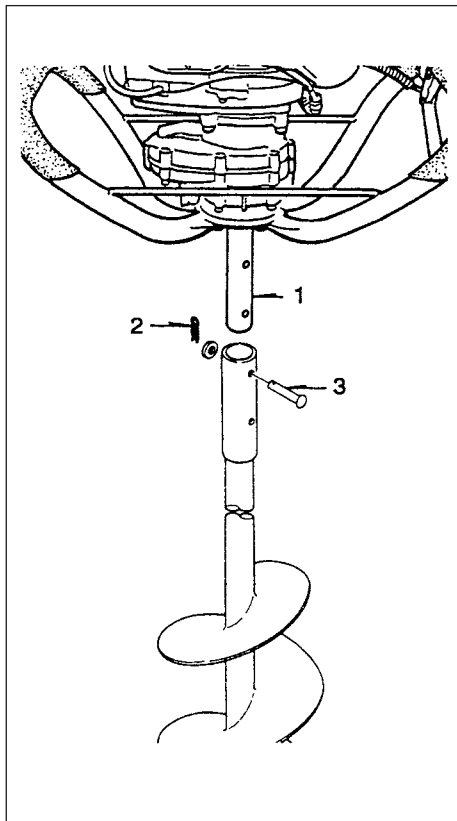


Fig.1-1

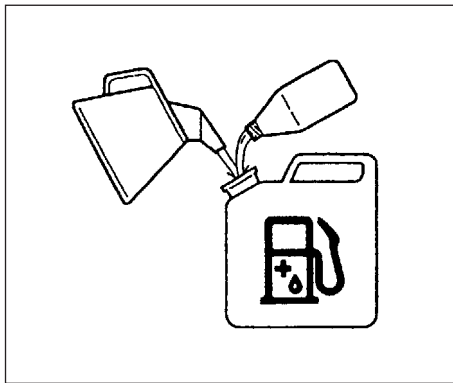


Fig.2-1

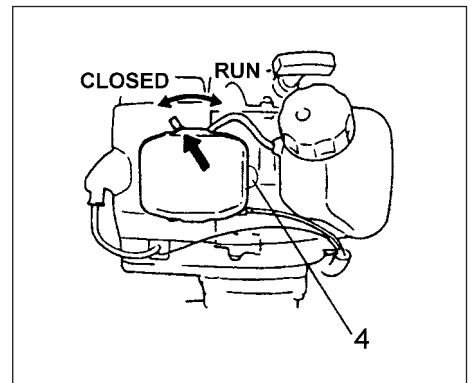


Fig. 2-3

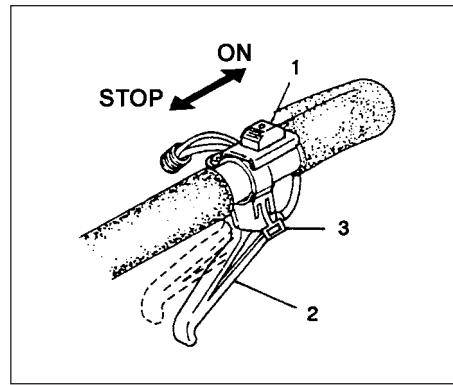


Fig. 2-2

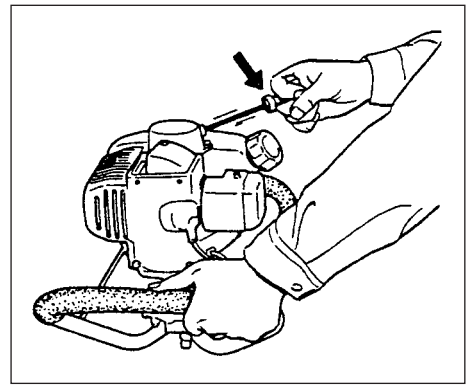


Fig. 2-4

### 3. Montering

#### Montering (fig. 1-1)

Koble borespissen til drivakselen (1) på effekthodet og fest det med snappinnene (2) etter å ha festet festepinnene (3) og skivene (2) stk på hver).

#### Valg av passende borespiss

Velg et vrivor i henhold til materialet som skal bores.

Hvis det skal bores i is velges et vrivor for is.

Hvis det skal bores i jord velges et vrivor for jord.

### 4. Funksjon

#### Brennstoff (fig. 2-1)

#### ⚠ ADVARSEL!

Det kraftige vrivoret er utstyrt med en totakt-motor. Motoren må alltid kjøres på en blanding av bensin og olje.

Sørg for god ventilasjon ved fylling og håndtering av brennstoff.

#### Brennstoff

- Bruk alltid blyfri bensin merket med 89 oktan.
- Bruk ekte totaktsolje eller bruk en blanding på 25:1 til 50:1, vennligst les på oljebeholderen for blandingsforhold eller kontakt en HITACHI-forhandler.
- I staten California kun 50:1.
- Hvis ekte totaktsolje ikke er tilgjengelig, brukes en kvalitet tilsatt antioksidierende middel som uttrykkelig er merket for luftkjølte totaktsmotorer, bruk (JASO FC KVALITET OLJE eller ISO EGC KVALITET OLJE). Bruk ikke BIA eller TCW (2-takts vannavkjølingstype) oljeblandinger.
- Bruk aldri helårsolje (10 W/30) eller spillolje.
- Bland alltid bensin og olje i en separat kanne.

Begynn alltid med å helle halvparten av bensinen som skal blandes inn i en kanne. Fyll deretter på hele mengden olje. Bland (rist) brennstoffblandingen. Fyll på resten av bensinen.

Bland (rist) brennstoffblandingen nøye før den fylles over på maskinens bensintank.

#### Fylling av brennstoff

#### ⚠ ADVARSEL!

- Slå alltid av maskinen før påfylling av brennstoff.
- Åpne tanklokket sakte ved påfylling av brennstoff slik at et eventuelt overtrykk forsvinner.
- Skru tanklokket godt til etter påfylling.
- Flytt alltid enheten minst 3 m (10 ft) bort fra påfyllingsstedet før start.

Før fyllingen må området rundt tanklokket rengjøres nøye for å være sikker på at ikke noe smuss faller inn i tanken. Påse at brennstoffet er godt blandet ved å riste kannen før tanken fylles.

#### Start

1. Sett tenningsbryteren (1) i posisjon ON (PÅ). (fig. 2-2)
- \* Trykk på sugepumpeboblen (4) flere ganger slik at brennstoff flyter gjennom boblen eller returrøret. (Hvis utstyrt slik) (fig. 2-3)
2. Hvis gasslåsen (3) er medlevert, trekk i gassutløseren (2) og hold gasslåsen (3), slipp sakte hendelen til den låses. (Fig. 2-2)
3. Sett chokehendelen til CLOSED (lukket) posisjon. (fig. 2-3)
4. Trekk raskt i rekylstarteren, mens man passer på å holde et grep om håndtaket og ikke tillater det å slå tilbake. (fig. 2-4)
5. Når du hører at motoren ønsker å starte returneres chokehendelen til posisjon RUN (KJØR) (åpen). Trekk så raskt i rekylstarteren igjen. (fig. 2-3)

#### MERK!

- Hvis motoren ikke starter gjentas punktene 2 til 5.
6. La motoren få 2-3 minutter oppvarming etter at motoren har startet før den utsettes for belastning.

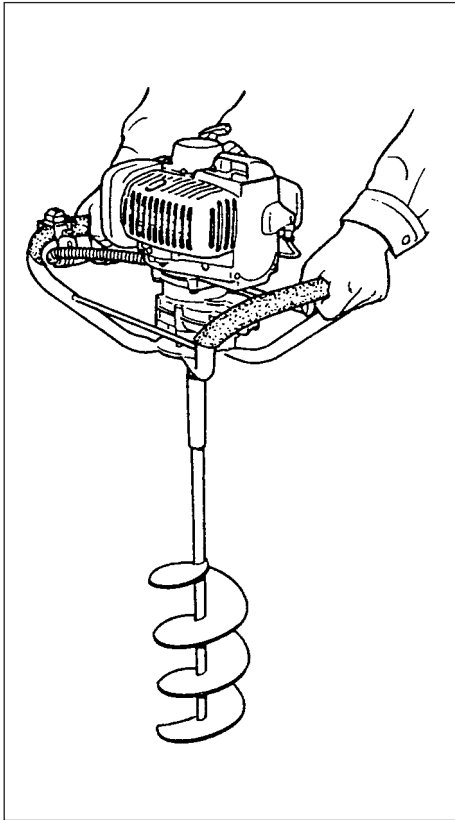


Fig. 2-5

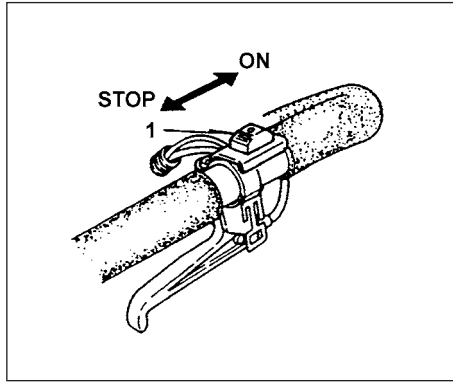


Fig. 2-6

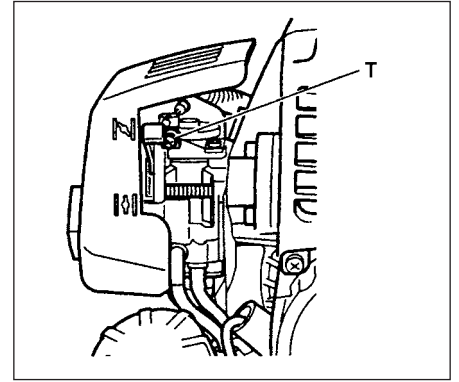


Fig. 3-1

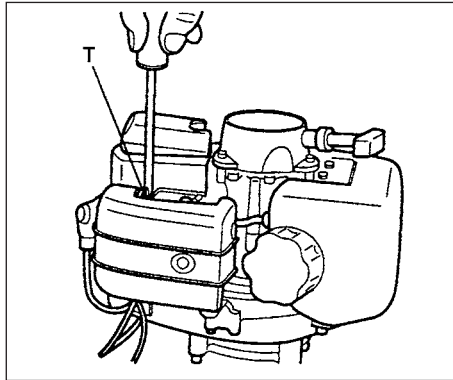


Fig. 3-1B

#### Boring (fig. 2-5)

##### ⚠ ADVARSEL!

For å unngå uventet skade må boret ikke røres mens motoren går. Vær sikker på å skru av tenningsbryteren før berøring med boret.

1. Hold godt i håndtaket med begge hender slik at du ikke kan bli dratt med av enheten.
2. Plasser kanten av boret direkte på stedet for boring, start deretter boringen. Dette er en enkel job takket være den innebygde sentrifugalkoblingen.
3. Hvis unormal vibrasjon eller støy oppstår, stoppes motoren og enheten undersøkes.
4. Ved bruk av enheten i lengre tid kan du bli trøtt. Prøv å ta en pause fra tid til annen.

#### Stoppe (fig. 2-6)

- Minsk motorhastigheten og sett tenningsbryteren i stopp-posisjon.

## 5. Vedlikehold

**VEDLIKEHOLD. BYTTE AV DELER ELLER REPARASJON AV AVGASSKONTROLLANORDNINGER OG SYSTEM KAN UTFØRES AV ETHVERT MOTORREPARASJONSVERKSTED ELLER PRIVATPERSON.**

Justering av forgasseren (fig. 3-1, 1B)

##### ⚠ ADVARSEL!

**Boret kan bevege seg under justering av forgasseren.**

##### ⚠ ADVARSEL!

**Aldri start motoren uten fullstendig koblingsdeksel og montert girkasse! Ellers kan clutchen løsne og forårsake personskade.**

I forgasseren blandes brennstoff med luft. Når motoren ble testkjørt i fabrikken ble forgasseren justert. Ytterligere justering kan være nødvendig avhengig av klima og høyde over havet. Forgasseren har en justeringsmulighet: T= skru for hvilehastighet.

#### Justering av hvilehastighet (T)

Kontroller at oljefilteret er rent. Hvis hvilehastigheten er riktig vil boret ikke rotere. Hvis justering er nødvendig lukk (med klokken) T-skruen mens motoren går inntil boret begynner å rotere. Åpne skruen (mot klokken) inntil boret stopper. Du har oppnådd den riktige hvilehastigheten når motoren går jevnt i alle stillinger godt under den hastigheten der boret starter å rotere. Kontakt HITACHI-forhandleren hvis boret fremdeles roterer etter at hvilehastigheten er justert.

##### MERK!

Standard tomgangsturtall er 2500-3000.

##### MERK!

Noen modeller som selges i områder med strenge utslipsreguleringer har ikke høy og lav hastighetsjustering på forgasseren. Slik justering kan føre til at motoren brukes utenfor utslippsgrensene som er tillatt. For disse modellene er hvilehastigheten eneste forgasserjustering.

For modeller som er utstyrt med lav og høy hastighetsjustering er forgasseren innstilt fra fabrikken. Mindre justeringer basert på klima, høyde over havet etc. kan optimalisere ytelsen. Skru aldri justeringsskruene i trinn på mer enn 90 grader da motorskader kan føre til uriktig innstilling. Hvis du ikke er fortrolig med denne type justering – søk hjelp hos din HITACHI forhandler.

##### ⚠ ADVARSEL!

**Når motoren går på tomgang må boret ikke under noen omstendighet rotere.**

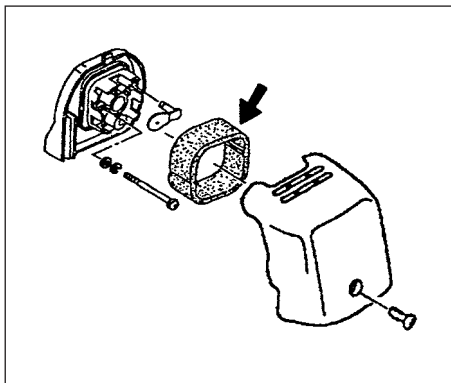


Fig. 3-2

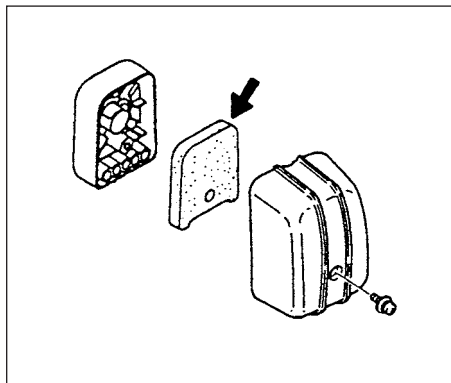


Fig. 3-2B

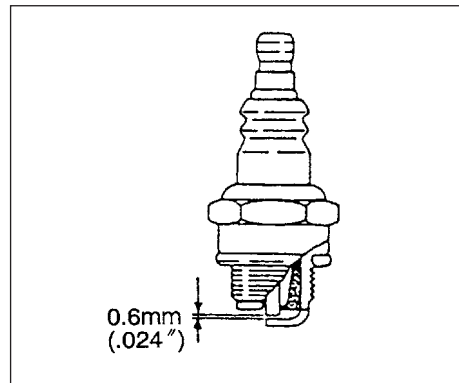


Fig. 3-3

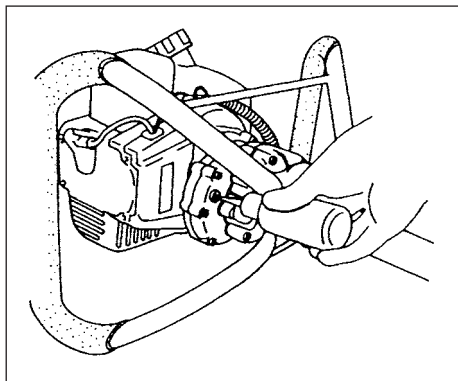


Fig. 3-4

#### Luftfilter (fig. 3-2, 2B)

Luftfilteret må renses for støv og smuss for å unngå:

- Feilfunksjon i forgasseren
- Startproblemer.
- Reduksjon av motoreffekten.
- Unødvendig slitasje på motordeler.
- Unormalt brennstofforbruk.

Rens luftfilteret daglig eller oftere hvis arbeid utføres i spesielt støvete områder.

#### Rengjøring av luftfilter

Fjern luftfilterdekslet og filteret. Skyll det i varmt såpevann. Kontroller at filteret er tørt før det monteres igjen. Et luftfilter som er brukt en tid kan ikke fullstendig rengjøres. Derfor må det regelmessig erstattes av et nytt. Et ødelagt luftfilter må alltid erstattes.

#### Tennplugg (fig. 3-3)

Tilstanden i tennpluggen er påvirket av:

- Feil forgasserinnstilling.
- Feil brennstoffblanding (for mye olje i bensinen)
- Et tilsmusset luftfilter.
- Harde kjørebetingelser (som kaldt vær).

Disse faktorene gir avleiringer på elektrodene i tennpluggen som kan resultere i feilfunksjon og startvanskeligheter. Hvis motoren gir lite effekt, er vanskelig å starte eller er vanskelig å holde på hvilehastigheten, skal tennpluggen kontrolleres først. Hvis tennpluggen er tilsmusset, rens den og kontroller elektrodeavstanden. Juster den igjen hvis nødvendig. Den riktige avstanden er 0,6 mm (.024") Tennpluggen bør erstattes etter omkring 100 arbeidstimer eller tidligere hvis elektrodene er slitte.

#### MERK!

Noen steder er det lover som krever at en motstandstennplugg blir benyttet for å undertrykke tennings signaler. Hvis denne maskinen var utstyrt med motstandstennplugg, bruk den samme tennpluggen ved bytte.

#### Overføring (fig. 3-4)

Kontroller fettnivået i overføringen eller giret for hver 50. brukstime ved å fjerne fettpåfyllingspluggen på siden av overføringen. Fyll overføringen med kvalitets litiumbasert flerbruksfett, opp til 3/4 full, hvis ikke noe fett er synlig på girflatene. Ikke fyll overføringen helt full.

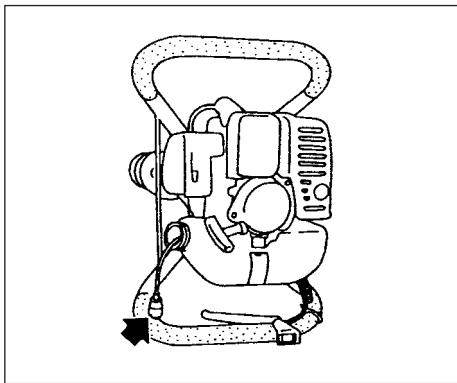


Fig. 3-5

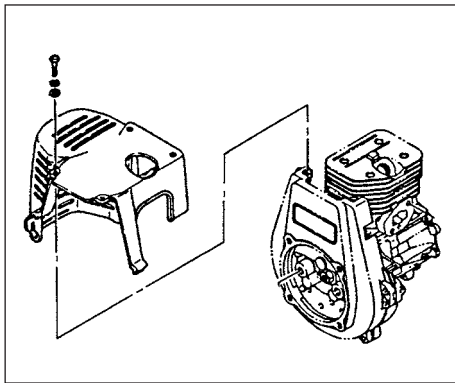


Fig. 3-6

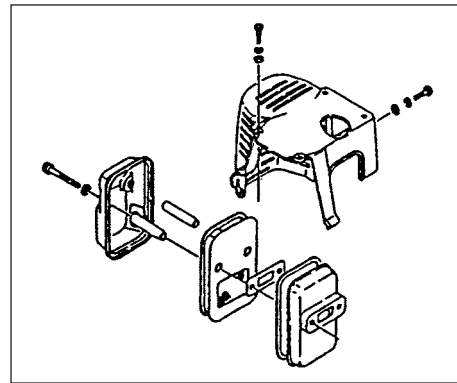


Fig. 3-7

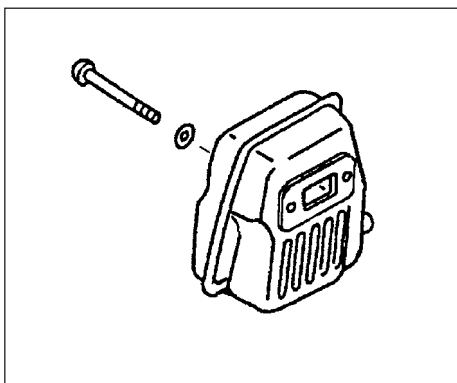


Fig. 3-7B

#### Brennstoff-filter (fig. 3-5)

Tøm ut alt brennstoff fra tanken og dra brennstofffilterlinen ut av tanken. Dra filterelementet ut av monteringsholderen og rens elementet i varmt vann med løsemiddel. Rens nøye til alle spor av løsemiddel er eliminert. Press, ikke vri, bort overskudd av vann og la elementet tørke i luften.

#### MERK!

Hvis filteret er hardt på grunn av støv og smuss, bytt det.

#### Rens av sylinderrinnene (fig. 3-6)

Hvis trebiter er fanget mellom sylinderrinnene kan motoren bli for varm. Dette fører til lavere utgangseffekt. For å unngå dette må sylinderrinnene og viftehuset alltid holdes rene. For hver 100. brukstime eller hvert år (ofte hvis betingelsene krever det), rengjøres rinnene og utvendig overflate for støv, smuss og oljerester som kan bidra til dårligere kjøling.

#### Rengjøring av lyddemperen (fig. 3-7, 7B)

Fjern lyddemperen og gnistfangeren (hvis slik utstyrt) og rens bort alt kulloverskudd fra utblåsningsutgangen og lyddemperinngangen hver 100. brukstime.

#### For langtidslagring

Tøm ut alt brennstoff fra brennstofftanken. Start motoren og la den gå til den stopper. Reparer enhver skade som skyldes bruk. Rengjør enheten med en ren klut eller bruk en høytrykk-luftdyse. Legg noen få dråper totaktsmotorolje i sylindern gjennom tennplugghullet og dra rundt motoren flere ganger for å fordele oljen. Dekk til enheten og lagre den på et tørt sted.

#### Vedlikeholdsplan

Nedenfor finner du noen generelle vedlikeholdsinstruksjoner. For mer informasjon vennligst ta kontakt med HITACHI-forhandleren.

#### Daglig vedlikehold

Rengjør Enhet utvendig.  
Kontroller at boretilbehøret er riktig sentrert, skarpt og uten sprekker. Et bor som er ute av senter lager store vibrasjoner som kan ødelegge enheten.  
Kontroller at boretilbehøret er tilstrekkelig tilskrudd.  
Kontroller at muttere og skruer er tilstrekkelig tilskrudd.

#### Ukentlig vedlikehold

Kontroller starteren, spesielt snor og returfjær.  
Rengjør tennpluggen utvendig.  
Fjern den og kontroller elektrodeavstanden. Juster den til 0,6 mm eller bytt tennpluggen.  
Rengjør kjølefinnene på sylindern og kontroller at luftinntaket ved starteren ikke er tett.  
Kontroller at gir-kassen eller overføringen er 3/4 fylt med fett.  
Kontroller at gir-kassen er fylt med smørefett.

#### Månedlig vedlikehold

Spyl brennstofftanken med bensin.  
Rengjør forgasseren utvendig og området rundt den.  
Rengjør viften og området rundt den.



## 6. Tekniske data

MODELL

DA200E (S)



Motorstørrelse (ml) ..... 33 (2.00 cu. in.)



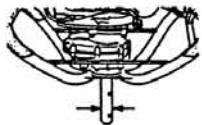
Tennplugg ..... CHAMPION CJ6Y eller RCJ6Y  
eller tilsvarende



Brennstofftankstørrelse ( l )..... 00.70 (23.6 fl. oz)



Vekt uten brennstoff og olje (kg)..... 8.0(17.6 lbs)



Drivakseldiameter (mm)..... 25.0



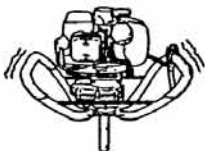
Maks. borstørrelse (mm)..... 150(5.9 in)  
(jord)



Lydtrykknivå (dB(A)) ..... 94.5  
(EN27917)



Lydeffektnivå (db(A))..... 116



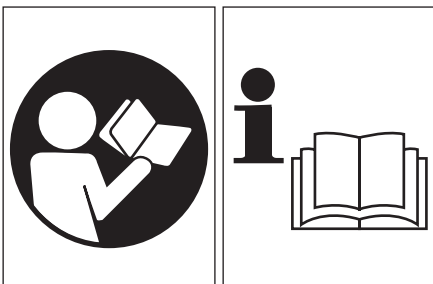
Vibrasjonsnivå (m/s<sup>2</sup>) (ISO 7916)

Fremre håndtak .....7.2  
Bakre håndtak .....6.3

MERK : Gjeldende støynivå/vibrasjonsnivå er utregnet som tidsvektet total energi for støy/vibrasjonsnivåer under varierte arbeidsbetingelser med følgende tidsdistribusjon: 1/2 hvile, 1/2 bruk.  
\*Alle data kan endres uten forutgående varsel.

# HITACHI

## DA200E (S)

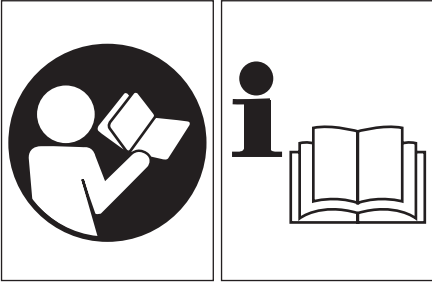


Lue ohjekirja huolellisesti ennen koneen käyttämistä.

**Omistajan opas**

## ⚠ VAROITUS

Tuotteen moottorin pakokaasut sisältävät kemikaaleja, jotka Kalifornian osavaltion viranomaisten mukaan aiheuttavat syöpää, vahingoittavat sikiötä tai muuten lisääntymistä.



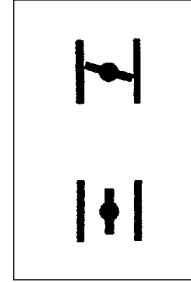
Lue turvallisuusohjeet ja varoitukset huolellisesti, ymmärrä ne ja noudata niitä. Varomaton tai virheellinen käyttö voi vammauttaa vakavasti tai johtaa kuolemaan.



Lue ja ymmärrä oppaan ja laitteen kaikki varoituksen sekä ohjeet ja noudata niitä.



Käytä silmänsuojaimia, kypärää ja kuulonsuojaimia, kun käytät laitetta.



Näyttää rikastimen asennon. Ylämerkki ilmaisee, että rikastin on täysin kiinni, ja alamerkki, että se on täysin auki.



Älä koske terää moottorin käydessä.

### Ennen uuden laitteen käyttämistä

- Lue omistaja opas huolellisesti.
- Tarkasta, että leikkuulaite on koottu ja säädetty oikein.
- Käynnistä laite ja tarkasta kaasuttimen säätö. Katso "Huolto".

## Vaatimustenmukaisuusilmoitus

Me, Nikko Tanaka Engineering Co., Ltd., 3-4-29 Tsudanuma, Narashino, Chiba, Japan

Ilmoitamme yksin vastuullisina, että tuote moottorikaira malli

DA200E (S)

jota tämä ilmoitus koskee, täyttää direktiivien tärkeät turvallisuusvaatimukset.

98/37/EC, 89/336/EEC, 2000/14/EC

Seuraavat standardit on huomioitu

ISO 3864 (EN ISO 12100-1/2)

Valmistettu: Chiba, Japan

05/01/2007

Allekirjoitus:

  
Yoshio Osada

Sarjanro alkaen

E570001

Asema: johtaja

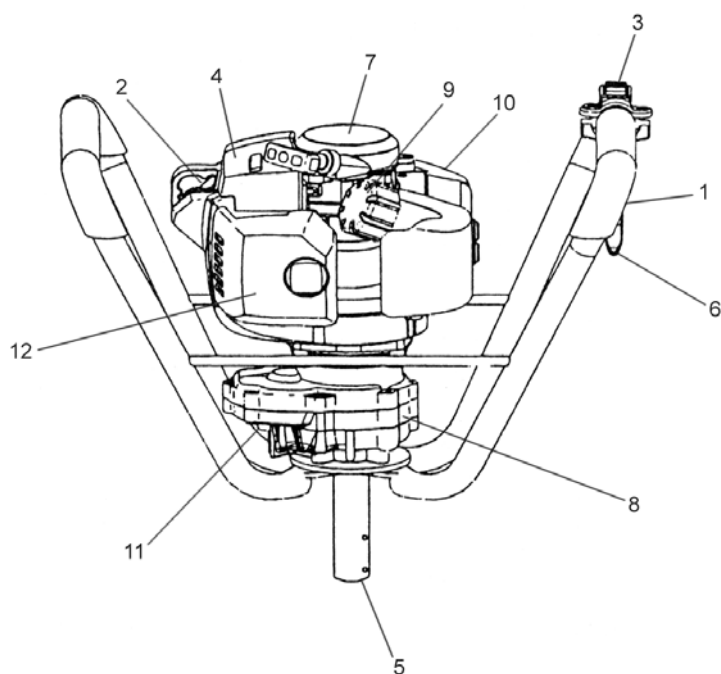
## Hakemisto

Mikä on mitä? —————	4
Varoitukset ja turvallisuusohjeet —————	5
Kokoaminen —————	6
Laitteen käyttö —————	6
Huolto —————	7
Tekniset tiedot —————	10

## 1. Mikä on mitä?

Koska opas koskee useita malleja, kuvat voivat poiketa omistamastasi laitteesta. Noudata laitettasi koskevia ohjeita.

1. Kahva
2. Tulpan suojus
3. Virtakytkin
4. Äänenvaimennin
5. Vetoakseli
6. Kaasuliipaisin
7. Narukäynnistin
8. Vaihteisto
9. Pa-tulppa
10. Polttoainesäiliö
11. Rasva-aukko
12. Ilmanpuhdistin



## 2. Varoitukset ja turvallisuusohjeet

### Käyttäjän turvallisuus

- Käytä aina kasvonsuojusta tai suojalaseja.
- Käytä paksusta kankaasta valmistettuja pitkälahkeisia housuja, saappaita ja käsineitä. Älä käytä löysiä vaatteita, koruja, shortseja tai sandaaleita, äläkä kulje paljain jaloin. Kiinnitä hiukset niin, että ne jäävät hartioiden yläpuolelle.
- Älä käytä laitetta väsyneenä, sairaana, alkoholin, huumeiden tai lääkkeiden vaikutuksen alaisena.
- Älä anna lasten tai kokemattomien henkilöiden käyttää konetta.
- Käytä kuulonsuojaimia.
- Älä käynnistä tai käytä moottoria suljetussa tilassa. Pakokaasut voivat olla hengenvaarallisia.
- Pidä kahvat puhtaana öljystä ja polttoaineesta.
- Pidä kädet poissa porauslaitteesta.
- Älä tartu porauslaitteeseen tai pidä kiinni siitä.
- Kun pysäytät koneen, tarkasta ennen sen maahan laskemista, että porauslaite on pysähtynyt.
- Kun työskentelet pitkään, pidä silloin tällöin taukoja, jotta välttätisätä ärsytystä johtuvan valkosormisuuden.
- Tarkasta kaikki koneen liittimet, jotta varusteet eivät käytön aikana.
- Tarkasta, että kohteessa ei ole esteitä. Pinnan alla voi olla esimerkiksi sähkökaapeleita, vesijohtoja jne. Jos et tiedä niiden paikkaa, selvitä se etukäteen.
- Kaira on tarkoitettu maan poraamiseen. Älä yritä porata kiinteitä esineitä, kuten puuta, kiveä tai metallia.
- Älä muuta tai korvaa muulla sokkaa, jolla terä on kiinnitetty moottoriin. Muun kuin alkuperäisen sokan käyttäminen voi aiheuttaa tapaturman.
- Tämä malli on suunniteltu enintään 200 mm (8") terille. Älä yritä käyttää suurempia teriä.
- Ennen aloittamista varmista, että kumpikin käyttäjä saa pitävän otteen kummastakin kahvasta ja seisoo tukevasti. Älä käytä konetta rinteissä, jolloin kaatumisen vaara on suurempi.
- Koneella poratut reiät voivat vaarantaa muiden turvallisuuden. Älä jätä reikää vaille silmälläpitoa, jos se voi olla vaaraksi muille.

### Laitteen/koneen turvallisuus

- Tarkasta koko laite/kone aina ennen käyttöä. Vaihda vaurioituneet osat. Tarkasta mahdolliset polttoainevuodot, ja varmista, että kaikki kiinnittimet ovat paikallaan ja varmasti kiinni.
- Vaihda halkeilleet, lohkeilleet tai muuten vaurioituneet osat ennen koneen käyttöä.
- Pidä muut poissa, kun säädät kaasutinta
- Käytä vain lisävarusteita, joita valmistaja suosittelee tähän laitteeseen/koneeseen.

### ⚠ VAROITUS!

Älä muuta laitetta/konetta millään tavoin. Käytä poraus työkalua vai sille suunniteltuun tarkoitukseen.

### Polttoaineen turvallinen käsittely HUOM!

- Tyhjennä polttoainesäiliö ennen koneen varastointia. Tämä on erityisen tärkeää, jos kone on yli kolme kuukautta käyttämättä, koska polttoaine voi muuten vaurioittaa kaasutinta. Polttoaine kannattaa tyhjentää jokaisen käyttökerran jälkeen. Jos säiliöön jää polttoainetta, säilytä kone niin, että polttoainetta ei vuoda.
- Sekoita ja kaada polttoaine ulkona paikassa, jossa ei ole kipinöitä tai avotulta.
- Käytä polttoainetta varten hyväksytyä astiaa.
- Älä tupakoi tai salli tupakointia lähellä polttoainetta tai laitetta/konetta tai käyttäessäsi laitetta/konetta.
- Pyyhi kaikki roiskunut polttoaine ennen moottorin käynnistämistä.
- Siirry vähintään kolmen metrin päähän tankkauspaikasta ennen moottorin käynnistämistä.
- Sammuta moottori ennen polttoainesäiliön korkin irrottamista.
- Säilytä laite/kone ja polttoaine tilassa, jossa polttoainehöyryt eivät saavuta vedenlämmittimen, sähkömoottorin tai muiden sähkölaitteiden kipinöitä tai liekkejä.

### ⚠ VAROITUS!

Tärinänestojärjestelmät eivät estä valkosormisuutta tai karpaaalitunnelisyndroomaa. Konetta jatkuvasti ja säännöllisesti käyttävien on siksi tarkkailtava huolellisesti käsiensä ja sormiensa tilaa. Jos havaitset edellä lueteltuja oireita, ota viipymättä yhteys lääkäriin.

### Porausturvallisuus

- Poraava vain materiaalia, jonka poraamiseen kone on tarkoitettu.
- Tarkasta porattava alue aina ennen käyttöä. Poista esineet, jotka voivat sinkoilla tai tarttua terään.
- Käytä aerosoleilta suojaavaa naamaria, kun poraat aluetta torjunta-ainekäsittelyn jälkeen.
- Pidä lapset, eläimet, sivulliset ja avustajat 5 m vaarallisen alueen ulkopuolella. Pysäytä moottori heti, jos sinua lähestytään.
- Pidä laitteesta/koneesta tukevasti kiinni kummallakin kädellä.
- Seiso tukevasti ja tasapainon säilyttäen. Älä kurottele.
- Pidä kehon osan poista äänenvaimentimesta ja porasta, kun moottori käy.

### Turvallinen huolto

- Huolla laite/kone suositusten mukaisesti.
- Irrota tulpan johto ennen huoltamista, paitsi säädettäessä kaasutinta.
- Pidä muut poissa, kun säädät kaasutinta
- Käytä vain valmistajan suosittelemia alkuperäisiä HITACHI-varaosia.

### Kuljettaminen ja varastointi

- Kanna laiteta/konetta kädessä moottori sammutettuna ja äänenvaimennin pois päin käännettynä.
- Anna moottorin jäähtyä, tyhjennä polttoainesäiliö ja kiinnitä laite/kone paikalleen ennen kuljettamista autossa.
- Tyhjennä polttoainesäiliö ennen koneen varastointia. Polttoaine kannattaa tyhjentää jokaisen käyttökerran jälkeen. Jos säiliöön jää polttoainetta, säilytä kone niin, että polttoainetta ei vuoda.
- Säilytä laite/kone lasten ulottumattomissa.
- Puhdista laite huolellisesti ja säilytä kuivassa paikassa.
- Tarkasta, että sytytysvirta on katkaistu ennen kuljettamista tai varastointia.
- Peitä pora suojuksella tai matolla, kun kuljetat konetta autossa.

Jos joudut tilanteeseen, johon ei ole neuvoja oppaassa, toimi harkiten. Jos tarvitset apua, ota yhteys HITACHI-myyjään. Kiinnitä erityistä huomiota teksteihin, joita edeltävät sanat:

### ⚠ VAROITUS!

Suuri vakavan vamman tai kuoleman vaara, ellei ohjeita noudateta.

### HUOMIO!

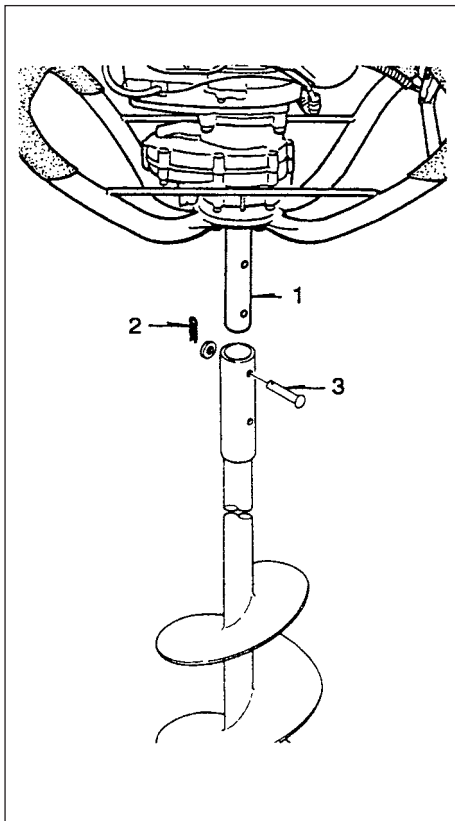
Tapaturman tai koneen vaurioitumisen vaara, ellei ohjeita noudateta.

### HUOM!

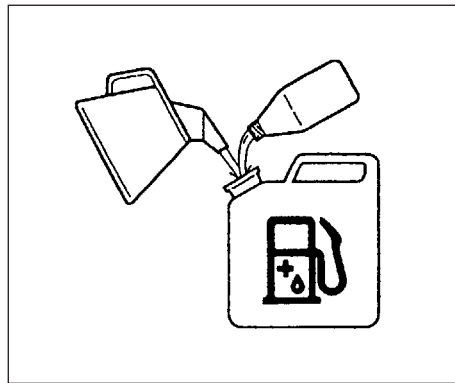
Oikeaa käyttöä koskevia hyödyllisiä tietoja.

### HUOMIO!

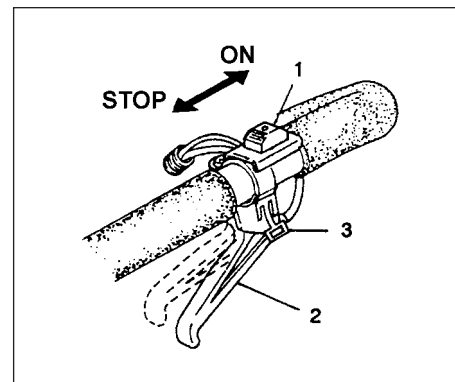
Älä pura narukäynnistäintä, koska käynnistimen jousi voi vammauttaa.



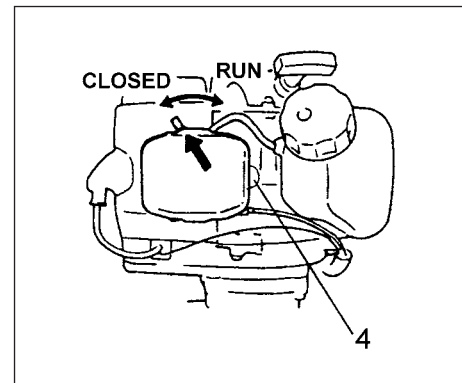
kuva.1-1



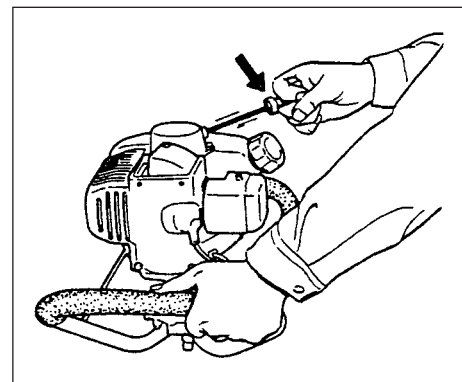
kuva. 2-1



kuva. 2-2



kuva. 2-3



kuva. 2-4

### 3. Kokoaminen

#### Kokoaminen (kuva 1-1)

Yhdistä terä moottoriosan vetoakseliin (1) ja varmista jousisokilla (2), kun olet asentanut sokat (3) ja aluslevyt (2 kumpaakin).

#### Sopivan terän valitseminen

Valitse kaira porattavan materiaalin mukaan. Käytä jään poraamiseen jäätärää. Maata porattaessa käytä maaterää.

### 4. Laitteen käyttö

#### Polttoaine (kuva 2-1)

##### ⚠ VAROITUS!

**Moottorikairassa on kaksitahtimoottori.**

**Käytä aina öljyä sisältävää kaksitahtipolttoainetta.**

**Huolehdi tuuletuksesta, kun tankkaat tai käsittelet polttoainetta.**

#### Polttoaine

- Käytä laadukasta 95-oktaanista lyijytöntä bensiiniä.
- Käytä kaksitahtiöljyä tai sekoita öljyä ja polttoainetta suhteessa 25:1 - 50:1. Katso lisätietoja öljypullosta tai kysy HITACHI-myyjältä.
- Ja Kaliforniassa käytä vain sekoitussuhdetta 50:1.
- Jos kaksitahtiöljyä ei ole saatavana, käytä ilmajäähdytteisiin kaksitahtimoottoreihin tarkoitettua öljyä (JASO FC GRADE OIL tai ISO EGC GRADE). Älä käytä laatua BIA tai TCW (tarkoitettu vesijäähdytteisiin kaksitahtimoottoreihin).
- Älä käytä moniasteöljyä (10 W/30) tai jäteöljyä.
- Sekoita bensiini ja öljy puhtaassa astiassa.

Täytä aluksi puolet bensiinistä. Lisää sitten kaikki öljy. Sekoita ravistamalla. Lisää loppu bensiini.

Sekoita huolellisesti ravistamalla ennen polttoainesäiliön täyttämistä.

#### Tankaaminen

##### ⚠ VAROITUS!

- **Sammuta moottori ennen tankkaamista.**
- **Avaa polttoainesäiliö hitaasti, jotta mahdollinen yliaine pääsisi purkautumaan.**
- **Kiristä polttoainesäiliön korkki**
- **Siirry vähintään kolmen metrin päähän tankkauspaikasta ennen moottorin käynnistämistä.**

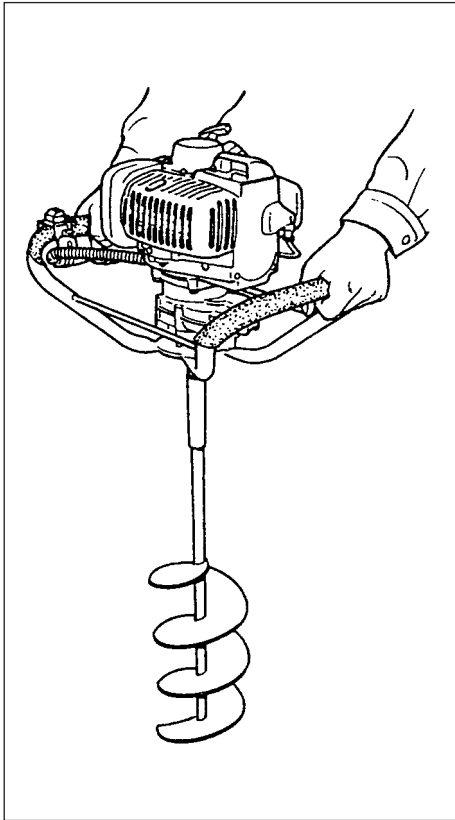
Puhdista polttoainesäiliön kannen ympäristö huolellisesti ennen tankkaamista, jotta säiliöön ei pääsisi likaa. Sekoita polttoaine ravistelemalla astiaa ennen tankkaamista.

#### Käynnistäminen

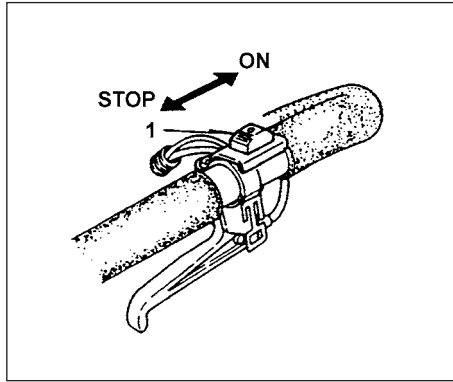
1. Käännä virtakytkin (1) asentoon ON. (Kuva 2-2)  
\* Paina polttoainepumppua (4) useita kertoja, kunnes sen tai paluuputken läpi virtaa polttoainetta. (Jos asennettu) (Kuva 2-3)
2. Jos koneessa on kaasuvivun salpa (3), vedä kaasuvipua (2) ja paina salpaa (3). Vapauta sitten lukittava vipu (kuva 2-2)
3. Sulje rikastin (CLOSED). (kuva 2-3)
4. Tartu lujasti käynnistysnarun kahvaan ja vedä reippaasti. Päästä naru palautumaan hitaasti. (Kuva 2-4)
5. Kun moottori on käynnistymäisillään, avaa rikastin (RUN). Vedä käynnistysnarua rivakasti. (kuva 2-3)

#### HUOM!

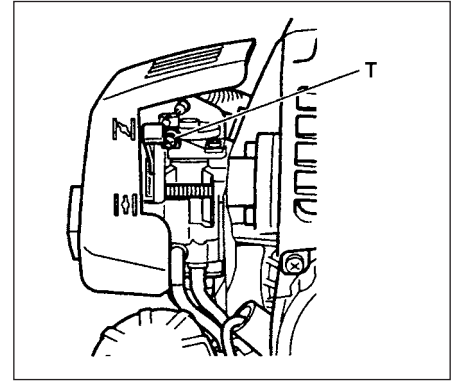
- Jos moottori ei käynnisty, toista vaiheet 2 - 5.
6. Kun moottori on käynnistynyt, anna sen lämmitä 2-3 minuuttia ennen kuormittamista.



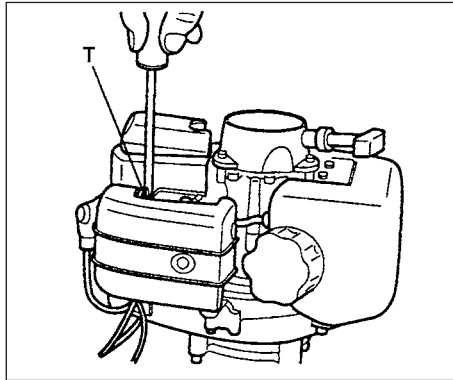
kuva. 2-5



kuva. 2-6



kuva. 3-1



kuva. 3-1B

#### Poraaminen (kuva 2-5)

##### ⚠ VAROITUS!

Vältä tapaturma – älä koske terää moottorin käydessä. Katkaise virta ennen terän koskemista.

1. Pidä kahvasta kiinni lujasti kummallakin kädellä, jotta kone ei pääsisi heilauttamaan.
2. Kohdistista terän kärki porattavaan kohtaan, ja käynnistä sitten terä. Keskipakoiskytkin helpottaa tätä vaihetta.
3. Pysäytä moottori ja tarkasta kone, jos havaitset epänormaalia tärinää tai ääntä.
4. Jatkuva pitkäaikainen koneen käyttö voi väsyttää. Pyri pitämään tauko säännöllisesti.

#### Pysäyttäminen (kuva 2-6)

- Vähennä moottorin nopeutta ja työnnä virtakytkin pysäytysasentoon.

## 5. Huolto

**PAKOKÄRJESTELMÄN JA SEN OSIA SAA HUOLTAA, VAIHTAA TAI KORJATA MISSÄ HYVÄNSÄ PIENKONEKORJAAMOSSA, TAI OMISTAJA VOI TEHDÄ NÄMÄ TYÖT ITSE.**

#### Kaasuttimen säätäminen (kuva 3-1, 1B)

##### ⚠ VAROITUS!

Terä voi pyöriä säädettäessä kaasutinta.

##### ⚠ VAROITUS!

**Älä käynnistä moottoria, ellei kytkimen kotelo ja vaihteisto ole paikallaan! Muuten kytkin voi irrota ja vammauttaa.**

Polttoaine ja ilma sekoittuvat kaasuttimessa, Kaasutin säädetään, kun moottori koekäytetään tehtaalla. Ilmasto tai käyttöpaikan korkeus meren pinnasta voivat edellyttää lisää säätämistä. Kaasuttimessa on vain yksi säätömahdollisuus, T = joutokäynnin säätöruuvi.

#### Joutokäynnin säätäminen (T)

Tarkasta, että ilmansuodatin on puhdas. Kun joutokäyntinopeus on oikea, terä ei pyöri. Jos joutokäyntiä on säädettävä, käännä T-ruuvia myötäpäivään (kiinni) moottorin käydessä, kunnes terä alkaa liikkua. Avaa ruuvia vastapäivään, kunnes leikkuulaite pysähtyy. Outokäyntinopeus oikea, kun moottori käy tasaisesti kaikissa asennoissa selvästi alle nopeuden, jolla terä alkaa pyöriä. Jos terä pyörii edelleen joutokäynnin säätämisen jälkeen, ota yhteys HITACHI-myyjään.

#### HUOM!

Normaali joutokäyntinopeus on 2500-3000 k/min.

#### Huom!

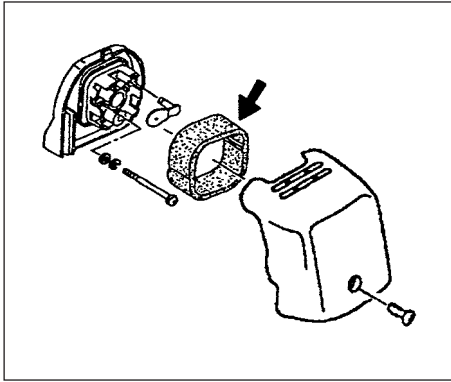
Kaasuttimen säädöt (nopea ja hidas) puuttuvat joistakin malleista, jotka on myyty alueille, joilla on tiukat päästösäännökset. Moottorin voi saada tällaisilla säädöillä toimimaan päästörajojen ulkopuolella. Näissä malleissa voi säätää vain joutokäyntinopeutta.

Kun mallissa on suuren ja pienen nopeuden säädöt, kaasuttimet säädetään valmiiksi tehtaalla. Pienet säädöt voivat optimoida suorituskyvyn ilmaston, korkeuden jne. perusteella. Käännä säätöruuvia enintään 90 astetta, koska muuten moottori voi vaurioitua väärän säädön seurauksena. Jos et hallitse näitä säätöjä, ota yhteys HITACHI-myyjään.

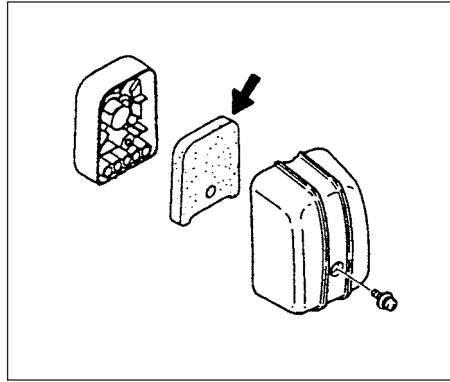
##### ⚠ VAROITUS!

**Kun moottori käy joutokäyntiä, terä ei saa pyöriä.**

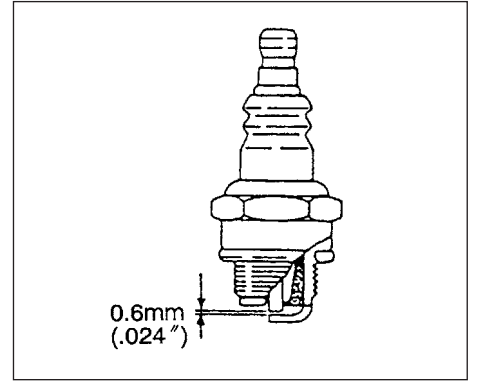




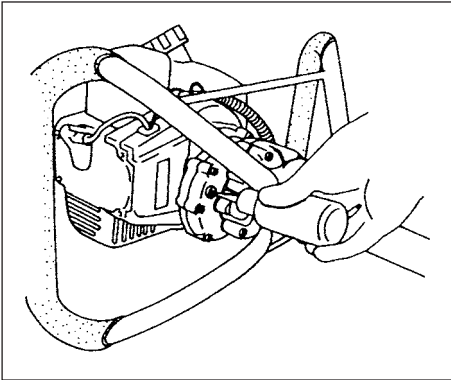
kuva. 3-2



kuva. 3-2B



kuva. 3-3



kuva. 3-4

#### Ilmansuodatin (kuva 3-2, 2B)

Ilmansuodatin on puhdistettava pölystä ja liasta, jotta:

- kaasutin toimisi oikein
  - moottori käynnistyisi
  - moottorin teho ei alenisi
  - moottorin osat eivät kuluisi tarpeettomasti
  - polttoainetta ei kuluisi epänormaalisti.
- Puhdista ilmansuodatin päivittäin tai useammin, jos työskentelet erittäin pölyisissä oloissa.

#### Ilmansuodattimen puhdistus, omem

Poista ilmansuodattimen kansi ja suodatin. Huuhtelee haalealla saippuavedellä. Tarkasta ennen kokoamista, että ilmansuodatin on kuiva. Jonkin aikaa käytettyä ilmansuodatinta ei saa puhdistettua kunnolla. Siksi ilmansuodatin on uusittava säännöllisesti. Vaurioitunut ilmansuodatin on vaihdettava viipymättä.

#### Sytytystulppa (kuva 3-3)

Sytytystulpan kuntoon vaikuttavat:

- Väärin säädetty kaasutin.

- Väärä polttoaineseos (liikaa öljyä)
- Likainen ilmansuodatin
- Raskaat käyttöolot (esimerkiksi kylmä sää).

Sytytystulppa voi tällöin karstoittua, jolloin kone käy tai käynnistyy huonosti. Jos moottori on tehoton, käynnistyy huonosti tai käy epätasaisesti joutokäyntiä, tarkasta ensin sytytystulppa. Jos tulppa on likainen, puhdista se ja tarkasta kärkiväli. Säädä tarvittaessa. Oikea kärkiväli on 0,6 mm (.024"). Vaihda sytytystulppa noin 100 käyttötunnin välein tai aikaisemmin, jos elektrodit ovat erittäin syöpyneet.

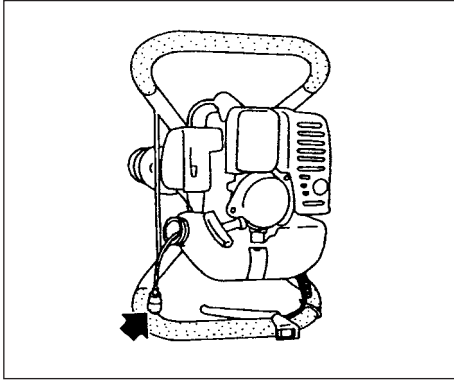
#### HUOM!

Joillakin alueilla on käytettävä sytytystulppaa, jossa on häiriönestovastus. Jos koneessa oli alun perin tällainen sytytystulppa, korvaa se vastaavan tyyppisellä.

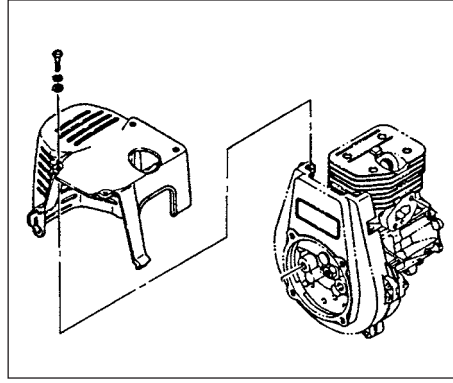
#### Vaihteisto (kuva 3-4)

Irrota rasvaustulppa vaihteiston sivusta ja tarkasta rasvan määrä noin 50 käyttötunnin välein.

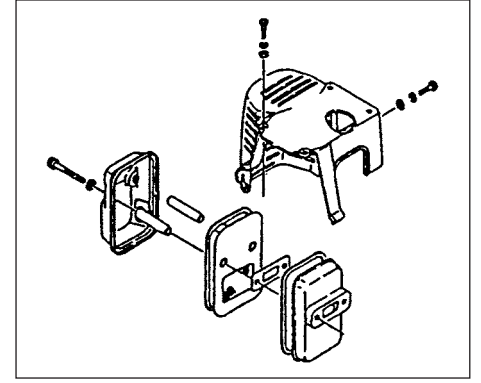
Jos hammaspyörien kyljissä ei näy rasvaa, täytä vaihteisto laadukkaalla litiumperustaisella multipurpose-rasvalla 3/4 tilavuuteen asti. Älä täytä vaihteistoa kokonaan.



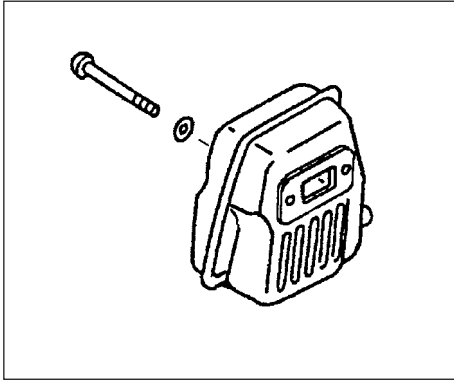
kuva. 3-5



kuva. 3-6



kuva. 3-7



kuva. 3-7B

#### Polttoaineensuodatin (kuva 3-5)

Tyhjennä kaikki polttoaine säiliöstä ja irrota polttoaineensuodatin säiliöstä. Vedä suodatinpanos pitimestä ja huuhtelee lämpimällä pesuaineliuksella.

Huuhtelee kunnolla pesuaineliuksella poistamiseksi. Poista vesi puristelemalla, ei vääntämällä, ja anna panoksen kuivua ilmassa.

#### HUOM!

Jos pöly ja lika ovat kovettaneet suodattimen, vaihda se.

#### Sylinterin jäähditysripojen puhdistaminen (kuva 3-6)

Kun sylinterin ripojen väliin tarttuu lastuja, moottori voi kuumentua liikaa, jolloin se teho alenee. Tämän välttämiseksi pidä sylinterin rivat ja puhaltimen kotelo puhtaina.

Puhdista jäähditysripoja ja moottorin ulkopinnat jäähditystä huonontavasta pölystä, liasta ja öljykerrostumista 100 käyttötunnin välein tai kerran vuodessa (useammin, mikäli olet sitä edellyttävät).

#### Äänenvaimentimen puhdistaminen (kuva 3-7, 7B)

Irrota äänenvaimennin ja kipinäsuojus (jos asennettu), ja poista karsta pakoaukosta tai äänenvaimentimen tulosta 100 käyttötunnin välein.

#### Pitkäaikainen varastointi

Tyhjennä kaikki polttoaine säiliöstä. Käynnistä moottori ja anna käydä, kunnes se pysähtyy. Korjaa mahdolliset käytöstä seuranneet vauriot. Puhdista laite puhtaalla rievulla, tai käytä paineilmaa. Tiputa sylinterin muutama tippa kaksitahtiöljyä sytytystulpan aukosta, ja levitä öljy pyörittämällä moottoria useita kertoja. Peitä laite ja säilytä kuivassa tilassa.

#### Huolto-ohjelma

Alla on on joitakin yleisiä huolto-ohjeita. Kysy lisätietoja HITACHI-myyjältä.

#### Päivittäinen huolto

- Puhdista Laitteen ulkopinnat.
- Tarkasta, että terä on oikein keskitetty, terävä, eikä siinä ole halkeamia. Epäkeskinen terä tarvitsee voimakkaasti ja voi vaurioittaa laitetta.
- Tarkasta terän kiinnityksen tiukkuus.
- Tarkasta mutterien ja ruuvien tiukkuus.

#### Viikottainen huolto

- Tarkasta käynnistin, erityisesti naru ja palautusjoussi.
- Puhdista sytytystulppa ulkopuolelta.
- Irrota tulppa ja tarkasta kärkiväli. Säädä 0,6 mm:ksi, tai vaihda tulppa.
- Puhdista sylinterin jäähditysripoja, ja tarkasta, että käynnistimen ilmanotto ei ole tukossa.
- Tarkasta, että vaihteistossa on rasvaa 3/4 tilavuudesta.
- Puhdista ilmansuodatin.

#### Kuukausittainen huolto

- Huuhtelee polttoainesäiliö bensiinillä.
- Puhdista kaasuttimen ulkopuoli ja ympäristö.
- Puhdista puhallin ja sen ympäristö.

## 6. Tekniset tiedot

MODEL

DA200E (S)



Moottorin iskutilavuus (ml) ..... 33 (2.00 cu. in.)



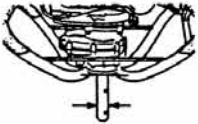
Sytytystulppa ..... CHAMPION CJ6Y tai RCJ6Y  
tai vastaava



Polttoainesäiliön tilavuus ( l )..... 0.70 (23.6 fl. oz)



Kuivapaino (kg)..... 8.0(17.6 lbs)



Vetoakselin läpimitta (mm)..... 25.0



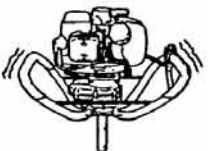
Terän enimmäiskoko (mm)..... 150(5.9 in)  
(maa)



Äänenpainetaso (dB(A)) ..... 94.5  
(EN27917)



Äänenpaineen tehollisarvo (db(A)).... 116



Tärinä (m/s<sup>2</sup>) (ISO 7916)

Etukahva ..... 7.2

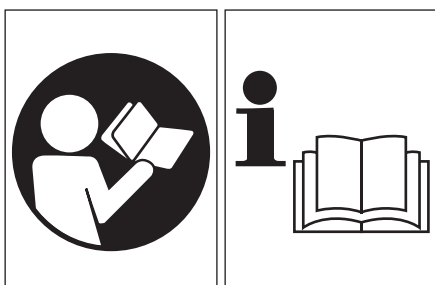
Takakahva ..... 6.3

HUOM : Ekvivalentti äänenpainetaso/tärinä lasketaan aikapainoitettuna äänenpaineen/tärinän energian summana vaihtelevissa käyttöoloissa seuraavan aikajakautuman mukaisesti : 1/2 joutokäynti, 1/2 täydet kierrokset.

\*Kaikki tiedot voivat muuttua ennalta ilmoittamatta.

# HITACHI

## DA200E (S)

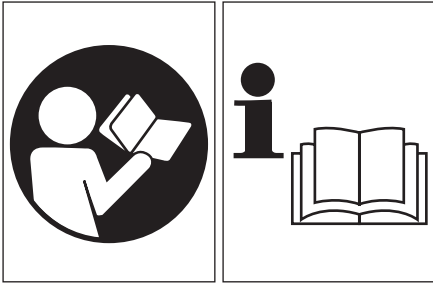


Перед эксплуатацией этой машины внимательно прочтите руководство.

**Руководство пользователя**

## ПРЕДОСТЕРЕЖЕНИЕ

Выхлоп двигателя данного изделия содержит химикаты, известные в Штате Калифорния, как вызывающие рак, врождённые дефекты и другой репродуктивный вред.



Важно, чтобы Вы прочли, в полном объёме поняли и соблюдали следующие правила техники безопасности и предостережения. Халатное или ненадлежащее применение аппарата может вызвать серьёзные или смертельные телесные повреждения.



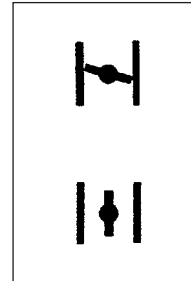
Следует прочитать, понять и выполнять все предостережения и инструкции, указанные в этом руководстве и на аппарате.



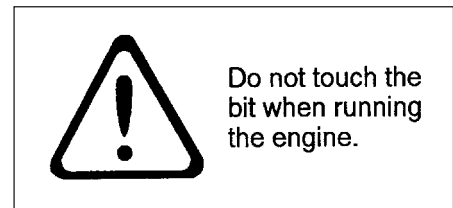
При эксплуатации данного аппарата всегда носить средства защиты зрения, слуха, а также головной убор.

### Перед применением нового аппарата

- Внимательно прочесть руководство пользователя.
- Проверить правильность сборки и регулировки режущего оборудования.
- Запустить аппарат и проверить регулировку карбюратора. Смотри "Техобслуживание".



Обозначение положения заслонки. Верхний знак означает закрытую заслонку, а нижний полностью открытую.



Не прикасаться к буру во время работы двигателя.

## Заявление о соответствии

Мы, Nikko Tanaka Engineering Co., Ltd., 3-4-29 Tsudanuma, Narashino, Chiba, Japan

Заявляем с исключительной ответственностью, что изделие, модель силового бура DA200E (S)

к которому относится настоящее заявление, выполняет основные требования по технике безопасности Директив.

98/37/EC, 89/336/EEC, 2000/14/EC

Приняты во внимание следующие стандарты  
ISO 3864 (EN ISO 1200-1/2)

Изготовлено на: Chiba, Japan На: 05/01/2007

Подпись:

  
Yoshio Osada

Серийный № от E570001

Должность: Директор

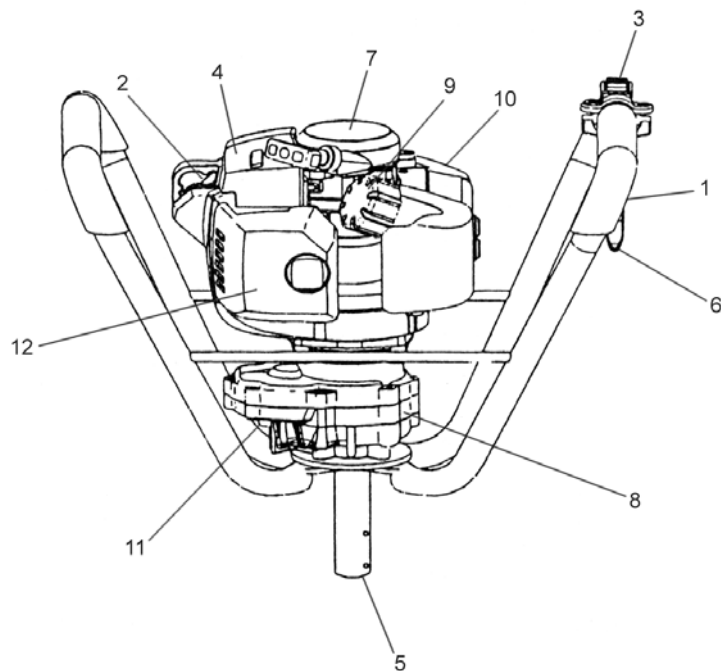
## Содержание

Что это такое? _____	4
Предостережения и инструкции по технике безопасности _____	5
Сборочные операции _____	6
Рабочие операции _____	6
Техобслуживание _____	7
Спецификации _____	10

## 1. Что это такое?

Поскольку в этом руководстве описывается несколько моделей, возможны различия между рисунками и Вашим аппаратом. Пользуйтесь инструкциями, прилагаемыми к Вашему аппарату.

1. Рукоятка
2. Колпачок свечи зажигания
3. Выключатель зажигания
4. Глушитель
5. Приводной вал
6. Дроссельное пусковое устройство
7. Возвратный стартер
8. Коробка передач
9. Крышка топливного бака
10. Топливный бак
11. Смазочное отверстие
12. Воздухоочиститель



## 2. Предостережения и инструкции по технике безопасности

### Безопасность оператора

- Всегда носить защитный щиток для лица или очки.
- Всегда носить длинные брюки из прочной ткани, ботинки и перчатки. Не надевать широкую одежду, украшения, шорты, сандалии и не ходить босиком. Подбирать волосы так, чтобы их длина была выше плеч.
- Не управляйте этим аппаратом/ машиной, если Вы устали, больны или находитесь под влиянием алкоголя, наркотиков или медикаментов.
- Не позволять детям или некомпетентным лицам управлять машиной.
- Носить средства защиты слуха.
- Не запускать и не эксплуатировать двигатель в закрытом помещении или здании. Вдыхание выхлопных газов может быть смертельным.
- Держите рукоятки в чистом состоянии, без масла или топливной смеси.
- Не прикасайтесь к буровому оборудованию.
- Не захватывать и не держать устройство за буровое оборудование.
- Если устройство отключено, убедитесь, что буровой аппарат остановился, прежде чем положить устройство.
- Если эксплуатация длительная, периодически устраивайте перерывы, чтобы избежать возможного синдрома белых пальцев, который вызывает вибрация.
- Проверить все крепления на устройстве, чтобы убедиться, что во время эксплуатации никакие детали не отсоединятся.
- Проследить, чтобы на участке, где Вы намереваетесь выполнять бурение, отсутствовали препятствия и посторонние объекты. Некоторые коммуникации могут быть скрыты под поверхностью, такие как электропровода, водопроводные линии и т.п. Если Вы не уверены в идЗ месторасположении – обратитесь к местным специалистам по коммунальному оборудованию.
- Этот бур предусмотрен для бурения земли. Не пытайтесь сверлить твёрдые объекты, такие как дерево, камень или металл.
- Не модифицировать и не заменять штифт, фиксирующий винтовое сверло на шпindelной головке. Применение штифта не оригинального происхождения может вызвать травму.
- Данная модель разработана для установки винтового сверла с максимальным диаметром 8 дюймов. Не применять сверло большего размера.
- Перед запуском убедиться, что оба оператора крепко удерживают две рукоятки и сохраняют устойчивое положение. Не работать на наклонной плоскости, если повышен риск падения.
- Отверстия, выполненные этим устройством, могут представлять опасность для других людей. Не оставлять отверстие без присмотра, если оно может угрожать безопасности.

### Безопасность аппарата/машины

- Перед каждым применением проверяйте весь аппарат/машину. Заменяйте повреждённые детали. Проверяйте отсутствие утечки топлива и прочность посадки всех креплений.
- Перед применением устройства/машины замените треснувшие, сколотые или иным образом повреждённые детали.

- При выполнении регулировки карбюратора не допускать в рабочую зону посторонних.
- Применяйте вспомогательное оборудование, рекомендованное для этого аппарата/машины изготовителем.

### ⚠ ПРЕДОСТЕРЕЖЕНИЕ!

**Не производить на аппарате/машине никаких изменений. Не применяйте Ваше буровое устройство для других работ, кроме тех, для которых оно предназначено.**

### Безопасность при обращении с топливом ВНИМАНИЕ!

- Опорожнить топливный бак перед отправкой аппарата/машины на хранение. В частности, это следует делать при хранении более трёх месяцев, иначе топливо может вызвать коррозию и повредить карбюратор. Рекомендуется сливать топливо после каждого применения. Если топливо остаётся в баке, необходимо проследить, чтобы бак не протекал.
- Топливо смешивать и наливать на открытом воздухе и там, где нет опасности возникновения искр или огня.
- Применять контейнер, пригодный для топлива.
- Не курить и не позволять другим курить поблизости от топлива или аппарата/машины, либо во время применения аппарата/машины.
- Удалить пролитое топливо, прежде чем запустить двигатель.
- Следует отойти от места заправки минимум на 3 м, прежде чем запускать двигатель.
- Отключить двигатель, прежде чем удалить крышку топливного бака.
- Хранить аппарат/машину и топливо в месте, где топливные пары не могут достигнуть искр или огня из водонагревателей, электрических двигателей или выключателей, печей и т.п.

### ⚠ ПРЕДОСТЕРЕЖЕНИЕ!

**Антивибрационные системы не гарантируют, что Вы не будете подвержены синдрому белых пальцев или кистевому туннельному синдрому. Поэтому постоянные и регулярные пользователи должны внимательно наблюдать за состоянием своих рук и пальцев. Если появится один из упомянутых выше симптомов, следует немедленно обратиться к врачу.**

### Безопасность при бурении

- Не бурить другой материал, кроме того, для которого предназначен аппарат.
- Перед каждым применением проверять зону, где будет выполняться бурение. Удалить предметы, которые могут быть отброшены или втянуты.
- Для защиты дыхания носить респиратор, если бурение производится после распыления инсектицида.
- Не пускать детей, животных, наблюдающих лиц и помощников в опасную зону площадью 5 м. Немедленно отключайте двигатель, если к Вам кто-то приближается.
- Крепко держите аппарат/машину двумя руками.
- Сохраняйте устойчивое положение и равновесие. Не тянитесь.
- При работающем двигателе держите все части тела на расстоянии от глушителя и бурильного устройства.

### Безопасность при техобслуживании

- Выполняйте техобслуживание аппарата/машины в соответствии с рекомендованными процедурами.
- Отсоедините свечу зажигания, прежде чем производить техобслуживание, за исключением работ по регулировке карбюратора.
- При выполнении регулировки карбюратора не допускать в рабочую зону посторонних.
- Для замены используйте только оригинальные запчасти HITACHI, рекомендованные изготовителем.

### Транспортировка и хранение

- Переносить аппарат/машину вручную при отключенном двигателе и при отведённом в сторону от тела глушителе.
- Охладить двигатель, опорожнить топливный бак и заблокировать аппарат/машину, прежде чем отправлять на хранение или перевозить на транспорте.
- Опорожнить топливный бак перед отправкой аппарата/машины на хранение. Рекомендуется сливать топливо после каждого применения. Если топливо остаётся в баке, необходимо проследить, чтобы бак не протекал.
- Хранить агрегат/машину в недоступном для детей месте.
- Аппарат тщательно очистить и хранить в сухом месте.
- При транспортировке или хранении убедитесь, что выключатель двигателя отключён.
- При перевозке на транспорте закройте бур кожухом или накидкой.

При возникновении ситуаций, не описанных в данном руководстве, надлежит соблюдать осторожность и действовать в соответствии со здравым смыслом. Обратитесь к дилеру фирмы HITACHI, если Вам нужна консультация.

Обратите особое внимание на указания, сопровождающиеся следующими словами:

### ⚠ ПРЕДОСТЕРЕЖЕНИЕ!

**Указывает на высокую вероятность причинения телесного вреда или на смертельную опасность, если инструкции не соблюдаются.**

### ОСТОРОЖНО!

Указывает на вероятность причинения телесного вреда или повреждения оборудования, если инструкции не соблюдаются.

### ВНИМАНИЕ!

Полезная информация для правильного функционирования и применения.

### ОСТОРОЖНО!

Не разбирать возвратный стартер, Вы можете получить травму от возвратной пружины.



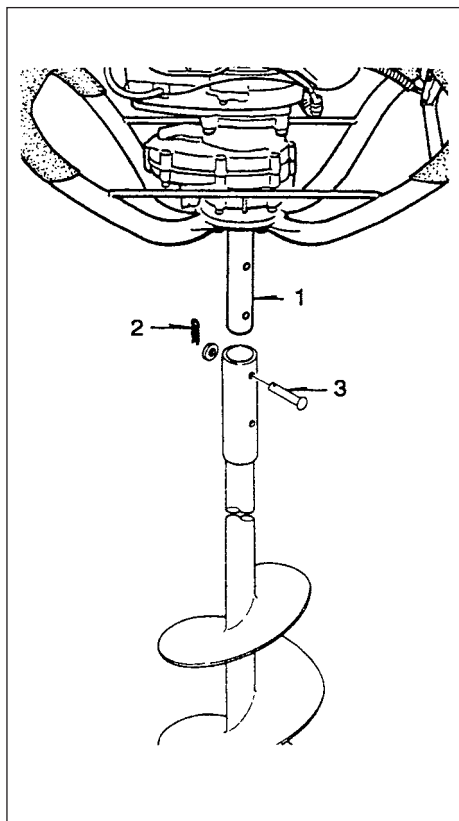


Рис.1-1

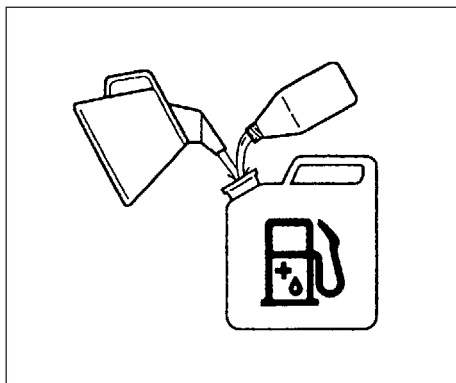


Рис.2-1

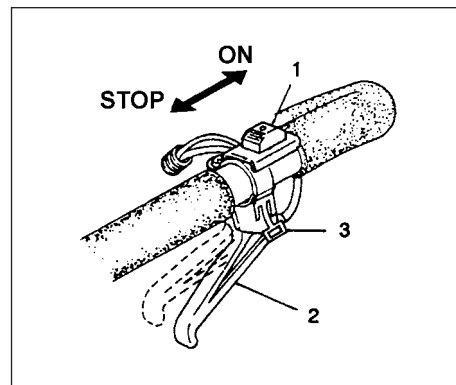


Рис. 2-2

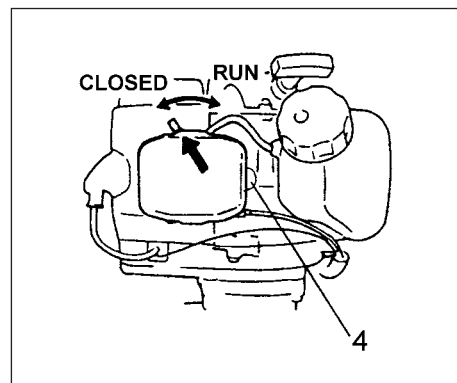


Рис. 2-3

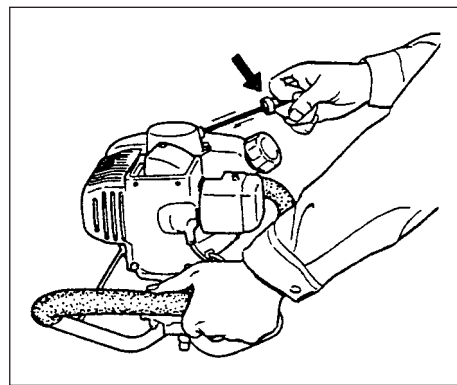


Рис. 2-4

### 3. Сборочные операции

#### Сборка (Рис. 1-1)

Присоединить бур к приводному валу (1) шпindelной головки и закрепить его посредством заклёпочных штифтов (2) после установки крепёжных штифтов (3) и шайб (по 2 шт. каждая позиция).

#### Выбор подходящего бура

Выбрать винтовое сверло в соответствии с материалом, в котором выполняется бурение.

В случае бурения льда, выбрать ледовый бур. При бурении земли воспользуйтесь земляным буром.

### 4. Рабочие операции

#### Топливо (Рис. 2-1)

##### ⚠ ПРЕДОСТЕРЕЖЕНИЕ!

Силовой бур оснащён двухтактным двигателем. Всегда эксплуатировать двигатель на топливе, смешанном с маслом.

При заливке топлива или обращении с ним следует обеспечить хорошую вентиляцию.

#### Топливо

- Всегда использовать марочный 89 октавный неэтилированный бензин.
- Использовать оригинальное двухтактное масло или смесь в пределах от 25:1 до 50:1, соотношение см. на бутылке масла или обратиться к дилеру фирмы HITCHI.
- только для штата Калифорния при 50:1.

- Если оригинальное масло отсутствует, следует применять масло с антиоксидантной присадкой, предназначенное для применения в двухтактном двигателе, работающем на газолине, с воздушным охлаждением (марка JASO FC GRADE OIL или ISO EGC GRADE). Не применять смешанное масло BIA или TCW (двухтактный тип с водяным охлаждением).

- Не использовать многостепенное масло (10 W/30) или отработанное масло.

- Всегда смешивать топливо и масло в отдельном чистом контейнере.

Всегда следует начинать с наполнения половины количества используемого топлива. Затем добавить всё количество масла. Смешать (встряхнуть) топливную смесь. Добавить оставшееся количество топлива.

Тщательно смешать (встряхнуть) топливную смесь перед заполнением топливного бака.

#### Заправка топливом

##### ⚠ ПРЕДОСТЕРЕЖЕНИЕ!

- Перед заправкой топливом всегда отключать двигатель.
- При наполнении топливом открывать топливный бак медленно, чтобы сбросить возможное избыточное давление.
- После заправки осторожно затянуть крышку топливного бака.
- Всегда удалять аппарат минимум на 3 м (10 футов) от зоны топливной заправки, прежде чем запускать его.

Перед заправкой топливом тщательно очистить участок вокруг крышки бака, чтобы в бак не попала грязь. Перед заправкой топливом хорошо смешать топливо путём встряхивания контейнера.

#### Пуск

1. Установить выключатель зажигания (1) в положение ON (ВКЛ). (Рис. 2-2)
- \* Несколько раз нажать на заливочный баллон (4), чтобы топливо потекло через баллон или обратную трубку. (При наличии подобного оснащения) (Рис. 2-3)
2. Если имеется дроссельная заслонка (3), потянуть дроссельное пусковое устройство (2) и толкать дроссельную заслонку (3), затем медленно отпустить блокируемый рычаг. (Fig. 2-2)
3. Установить рычаг заслонки в положение CLOSED (ЗАКРЫТО). (Рис. 2-3)
4. Быстро потянуть возвратный стартёр, крепко удерживая рычаг в руке и не позволяя ему защёлкнуться назад. (Рис. 2-4)
5. Если Вы услышите, что двигатель начинает заводиться, верните рычаг заслонки в положение RUN (РАБОТА) (открыто). Затем снова быстро потяните возвратный стартёр. (Рис. 2-3)

#### ВНИМАНИЕ!

Если двигатель не заводится, повторить операцию 2 – 5 раза.

6. После пуска двигателя, дать ему

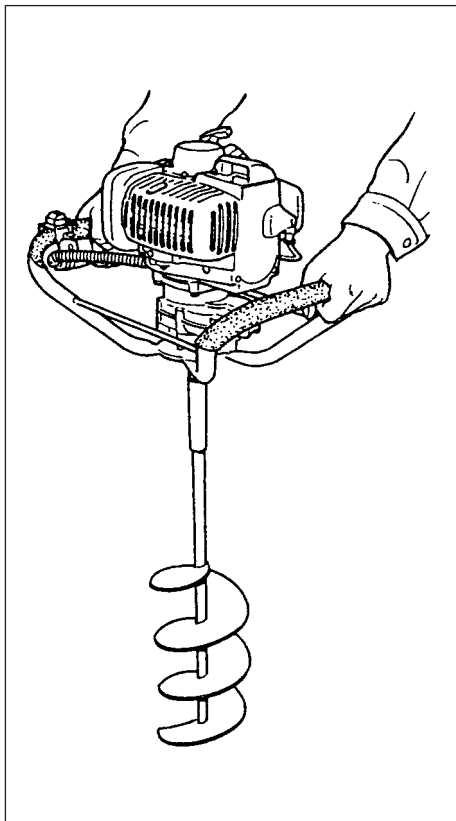


Рис. 2-5

#### Бурение (Рис. 2-5)

##### ⚠ ПРЕДОСТЕРЕЖЕНИЕ!

Не прикасаться к буру во время работы двигателя во избежание несчастного случая. Прежде чем прикасаться к нему, убедиться, что выключатель зажигания отключён.

1. Крепко держите рукоятку двумя руками, чтобы аппарат не нарушил Ваше равновесие.
2. Поместить конец бура на место, где будет производиться бурение и привести его в движение. Благодаря встроенному центробежному сцеплению эта работа не требует много усилий.
3. При возникновении неестественной вибрации или шумов следует отключить двигатель и проверить аппарат.
4. Длительная эксплуатация аппарата утомляет. Периодически необходимо устраивать перерывы.

#### Остановка (Рис. 2-6)

- Снизить скорость двигателя и переместить выключатель зажигания в положение остановки.

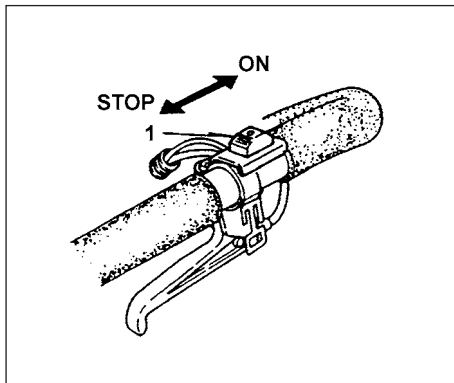


Рис. 2-6

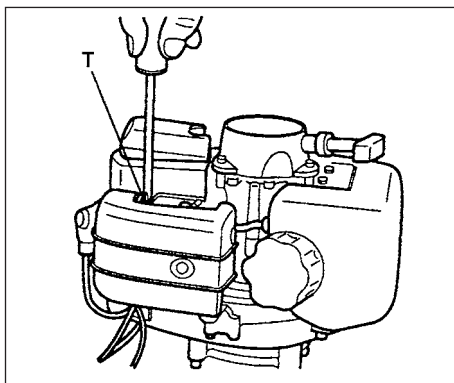


Рис. 3-1B

## 5. Техобслуживание

**ТЕХОБСЛУЖИВАНИЕ. ЗАМЕНА ИЛИ РЕМОНТ УСТРОЙСТВ И СИСТЕМ ДЛЯ СНИЖЕНИЯ ТОКСИЧНОСТИ ВЫХЛОПОВ МОЖЕТ ВЫПОЛНЯТЬСЯ В РЕМОНТНОЙ МАСТЕРСКОЙ ДЛЯ ДВИГАТЕЛЕЙ ИЛИ ИНДИВИДУАЛЬНО.**

#### Регулировка карбюратора (Рис. 3-1, 1B)

##### ⚠ ПРЕДОСТЕРЕЖЕНИЕ!

Бур может вращаться во время регулировки карбюратора.

##### ⚠ ПРЕДОСТЕРЕЖЕНИЕ!

Не запускать двигатель без полностью установленного корпуса муфты и смонтированной коробки передач. Иначе муфта может отсоединиться и причинить телесный вред.

В карбюраторе топливо смешивается с воздухом. Карбюратор был отрегулирован во время пробного пуска на заводе. Дополнительную регулировку можно производить в соответствии с климатом и высотой над уровнем моря. Карбюратор имеет одну возможность регулировки:  
T = Регулировочный винт холостого хода.

#### Регулировка холостого хода (T)

Проверить чистоту воздушного фильтра. Если скорость холостого хода верная, бур не вращается. Если требуется регулировка, закрутить (по часовой стрелке) T-образный винт при работающем двигателе, чтобы бур начал вращаться. Откручивать (против часовой стрелки) винт, чтобы бур остановился. Необходимая скорость холостого хода достигнута, если двигатель работает плавно во всех положениях ниже оборотов в минуту, когда бур начинает вращаться. Если бур продолжает вращаться после выполнения настройки скорости, следует обратиться к дилеру фирмы HITECH.

#### ВНИМАНИЕ!

Стандартное число оборотов холостого хода составляет 2500-3000 об/мин.

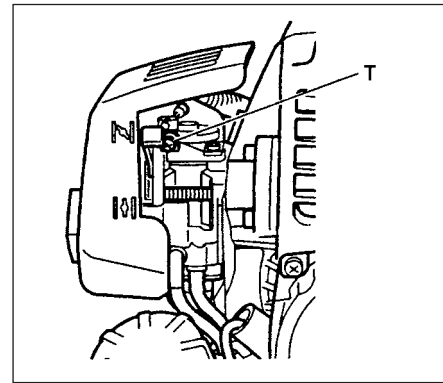


Рис. 3-1

#### Внимание !

Некоторые модели, проданные в областях с высокими требованиями в отношении регламентирования газообразных выбросов, не имеют карбюраторных настроек высокой и низкой скорости. Подобные настройки позволяют двигателю работать за рамками контрольных пределов газообразных выбросов. Для этих моделей единственной карбюраторной настройкой является скорость холостого хода.

Для моделей, оснащённых настройками низкой и высокой скорости; карбюраторы предварительно настроены на заводе-изготовителе. Незначительные настройки могут оптимизировать работу, основываясь на климате, высоте над уровнем моря и т.п. Не вращать настроечные винты в сторону увеличения больше, чем на 90 градусов, поскольку из-за неверной настройки может повредиться двигатель. Если Вы не знакомы с этим типом настройки – обратитесь за консультацией к дилеру компании HITECH.

##### ⚠ ПРЕДОСТЕРЕЖЕНИЕ!

Если двигатель работает на холостом ходу, бур ни в коем случае не должен вращаться.

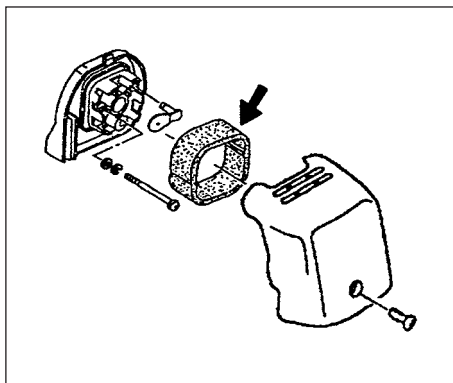


Рис. 3-2

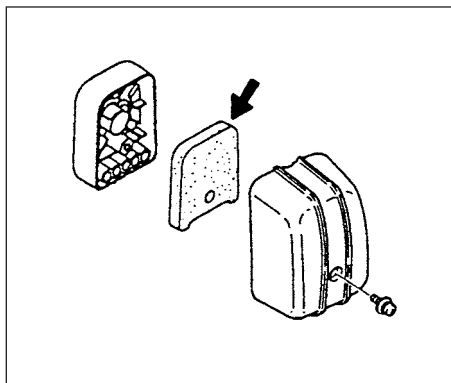


Рис. 3-2В

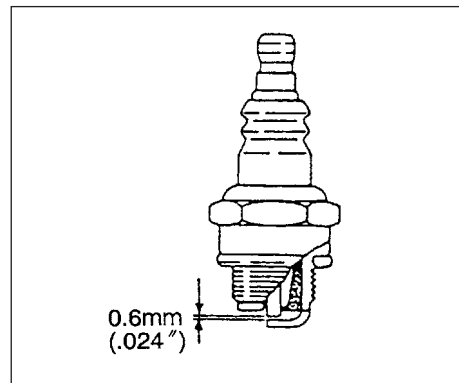


Рис. 3-3

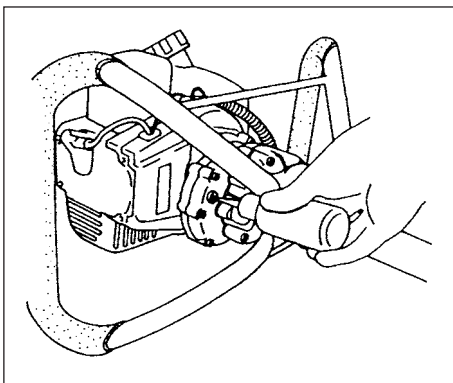


Рис. 3-4

#### Воздушный фильтр (Рис. 3-2, 2В)

Воздушный фильтр должен быть очищен от пыли и грязи, чтобы избежать:

- Неполодок карбюратора
- Проблем при пуске.
- Снижения мощности двигателя.
- Излишнего износа деталей двигателя.
- Ненормального расхода топлива.

Ежедневно очищайте воздушный фильтр, либо чаще, если работа выполняется в пыльной области.

#### Чистка воздушного фильтра

Демонтировать крышку воздушного фильтра и фильтр. Промыть его в тёплом мыльном растворе. Перед повторной сборкой проверить, чтобы фильтр был сухим. Воздушный фильтр, используемый некоторое время, не может быть очищен полностью. Поэтому его следует регулярно заменять на новый. Всегда необходимо заменять повреждённый фильтр.

#### Свеча зажигания (Рис. 3-3)

На состояние свечи зажигания влияет:

- Неверная регулировка карбюратора.
- Неверно составленная топливная смесь (слишком много масла в газолине)
- Грязный воздушный фильтр.
- Неблагоприятные условия работы (такие, как (холодная погода).

Эти факторы вызывают отложения на электродах свечи зажигания, что приводит к неполадкам и затруднениям при пуске. Если мощность двигателя снижается, он трудно запускается или плохо работает на холостом ходу, нужно всегда сначала проверить свечу зажигания. Если свеча зажигания грязная, необходимо её очистить и проверить межэлектродный зазор. При необходимости выполнить повторную регулировку. Правильный зазор составляет 0.6 мм (.024"). Свечу зажигания надлежит заменять через 100 рабочих часов или раньше, если электроды сильно эродированы.

#### ВНИМАНИЕ!

В некоторых областях местный закон требует применять резисторную свечу зажигания для подавления сигналов зажигания. Если эта машина изначально оснащена резисторной свечой зажигания, для замены следует использовать такой же тип свечи зажигания.

#### Передача (Рис. 3-4)

Каждые 50 часов эксплуатации проверять уровень смазки в передаче или зубчатом зацеплении путём удаления заправочной пробки для смазки на боковой стороне передачи.

Если на торцах зубчатых колёс не видно смазки, заполнить передачу на 3/4 качественной, универсальной литиевой смазкой.

Не заполнять передачу полностью.

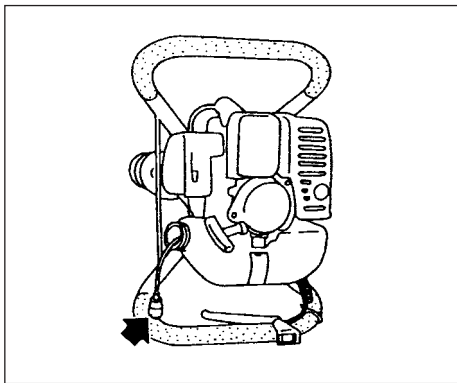


Рис. 3-5

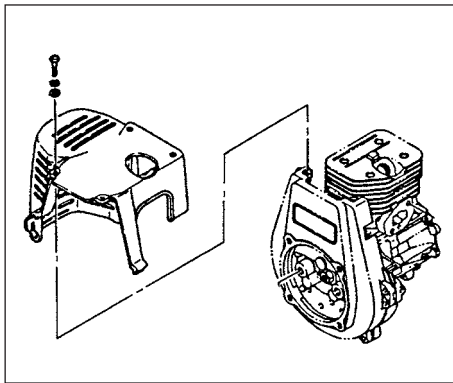


Рис. 3-6

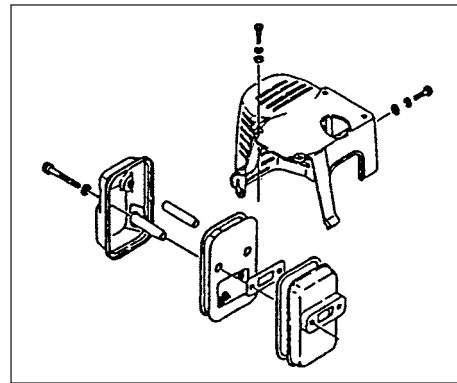


Рис. 3-7

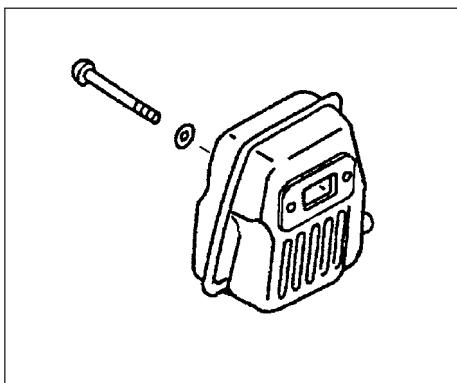


Рис. 3-7B

#### Топливный фильтр (Рис. 3-5)

Полностью слить топливо из топливного бака и извлечь из бака линию топливного фильтра. Вытащить фильтрующий элемент из держателя и промыть его тёплой водой с моющим средством.

После этого тщательно смыть остатки моющего средства. Сжать, не выкручивая, чтобы удалить воду и просушить элемент на воздухе.

#### ВНИМАНИЕ!

Если фильтр твёрдый по причине пыли и грязи, заменить его.

#### Чистка охлаждающих рёбер цилиндра (Рис. 3-6)

Если между охлаждающими рёбрами цилиндра застревает древесная стружка, двигатель может перегреваться, что выражается в снижении мощности. Чтобы избежать этого, всегда очищайте охлаждающие рёбра цилиндра и корпус вентилятора.

Каждые 100 рабочих часов или раз в год (чаще, если требуют условия) очищать рёбра и наружные поверхности двигателя от пыли, грязи и масляных отложений, которые затрудняют охлаждение.

#### Чистка глушителя (Рис. 3-7, 7B)

Через каждые 100 часов эксплуатации демонтировать глушитель и искровой разрядник (если имеется) и вычищать излишний нагар из выхлопного отверстия или входа глушителя.

#### Для долгосрочного хранения

Слить всё топливо из топливного бака. Запустить двигатель и дать ему поработать до остановки. Отремонтировать повреждения, возникшие при применении. Очистить агрегат чистой тканью или воспользоваться воздушным шлангом высокого давления. Накапать несколько капель двухтактного двигательного масла в цилиндр, через отверстие в свече зажигания, и прокрутить двигатель несколько раз, чтобы распределить масло. Закрыть агрегат и хранить его в сухом месте.

#### График техобслуживания

Ниже приведены некоторые общие инструкции по техобслуживанию. Для дальнейшей информации обратитесь к дилеру фирмы HITCHI.

#### Ежедневное техобслуживание

- Чистка наружной поверхности аппарата живой изгороди.
- Проверять буровой аппарат на надлежащее центрирование, остроту и отсутствие трещин. Бур с нарушенным центрированием имеет сильную вибрацию и может повредить устройство.
- Проверять прочность затягивания бурового аппарата.
- Проверка прочности посадки гаек и винтов.

#### Еженедельное техобслуживание

- Проверка стартера, особенно, шнура и возвратной пружины.
- Чистка наружной поверхности свечи зажигания.
- Демонтировать её и проверить межэлектродный зазор. Отрегулировать его на 0.6 мм или заменить свечу зажигания.
- Чистка охлаждающих рёбер цилиндра и проверка чистоты воздухозаборника на стартере.
- Проверять наполнение коробки передач или передачи смазкой на 3/4.
- Чистка воздушного фильтра.

#### Ежемесячное техобслуживание

- Промывка топливного бака газOLIном.
- Чистка наружной поверхности карбюратора и пространства вокруг него.
- Чистка вентилятора и пространства вокруг него.

## 6. Спецификации

MODEL

DA200E (S)



Объём двигателя (мл) ..... 33 (2.00 cu. in.)



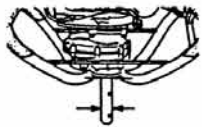
Свеча зажигания ..... CHAMPION CJ6Y or RCJ6Y  
или эквивалент



Ёмкость топливного бака (л)..... 0.70 (23.6 fl. oz)



Сухая масса (кг)..... 8.0(17.6 lbs)



Объём зажимного патрона (мм).....25.0



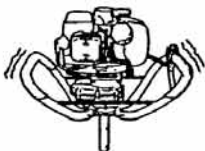
Макс. размер бура (мм)..... 150(5.9 in)  
(земля)



Уровень давления звука (дБ(A)).....94.5  
(EN27917)



уровень мощности звука (дБ(A))..... 116



Уровень вибрации (m/s<sup>2</sup>) (ISO 7916)  
Правая рукоятка ..... 7.2  
Левая рукоятка .....6.3

**ВНИМАНИЕ** : Эквивалентный уровень шума/вибрации вычисляется в качестве взвешенной по времени энергии, общей для уровней шума/вибрации при различных рабочих условиях, при следующем распределении по времени: холостой ход 1/2, разгон 1/2.  
\*Все данные подлежат изменению без уведомления.

 **Hitachi Koki Co., Ltd.**